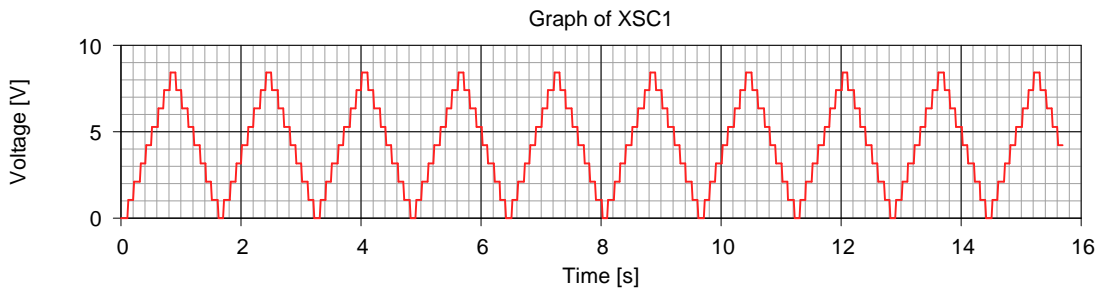
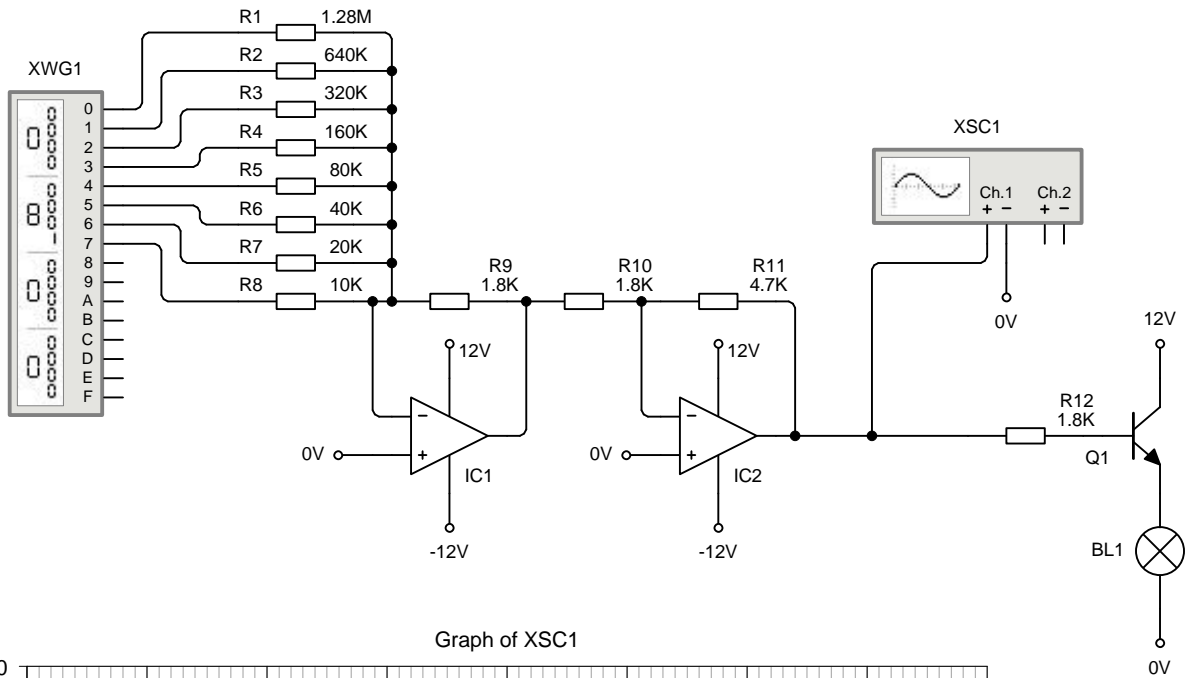


DIGITAL WAVE GENERATOR

The word generator (XWG1) produces a series of binary values at a rate of 10Hz. These binary signals are fed to the Digital-to-Analogue converter (DAC) which produces a negative voltage proportional to the binary input. This is fed to an inverting amplifier resulting in a positive wave.



Phil Townshend
www.edutek.ltd.uk