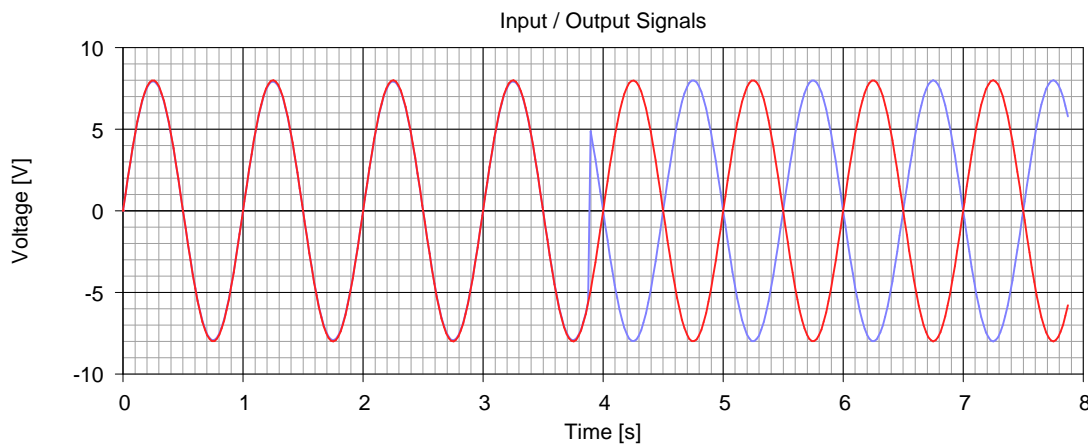
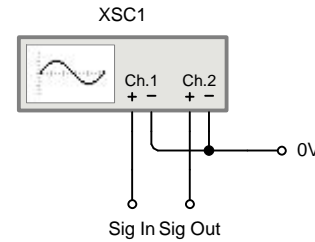
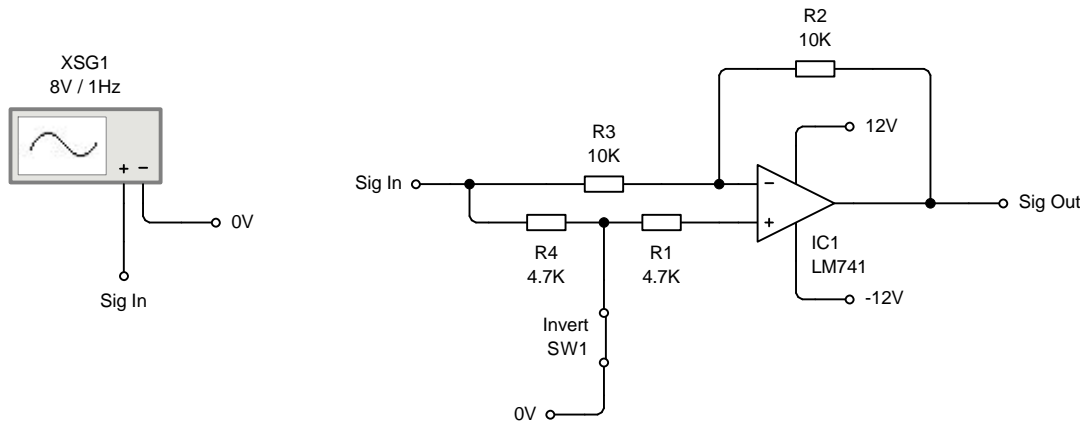
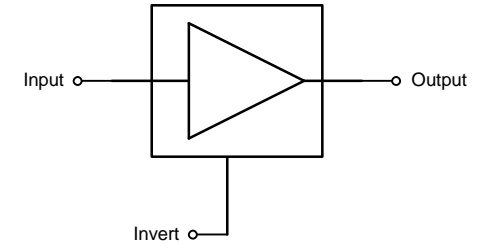


SWITCHABLE NON-INVERTING / INVERTING AMPLIFIER

This is a circuit I found in a book about op-amps some 25 years ago. When SW1 is open, the amplifier operates in a non-inverting mode, and the output signal follows the input exactly. When SW1 is closed, the amplifier operates in an inverting mode and the output is inverted.

Block diagram



A more practical approach is to use an NPN transistor as a switch. A logic signal or voltage above 0.7v will invert the amplifier.

