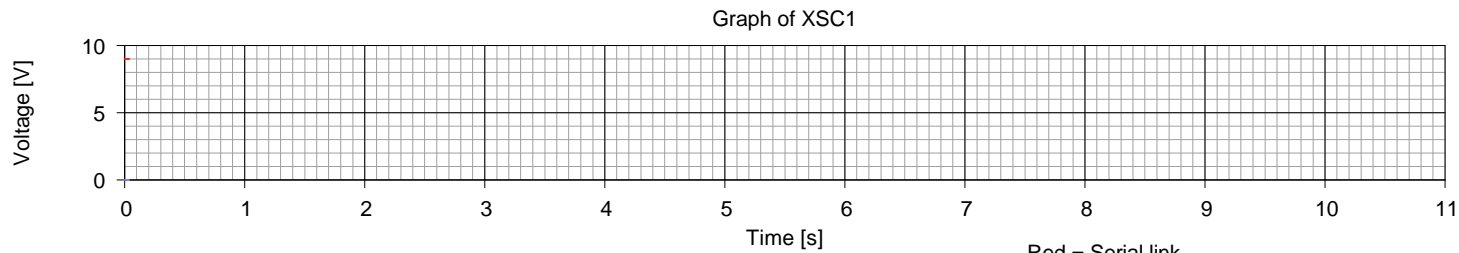
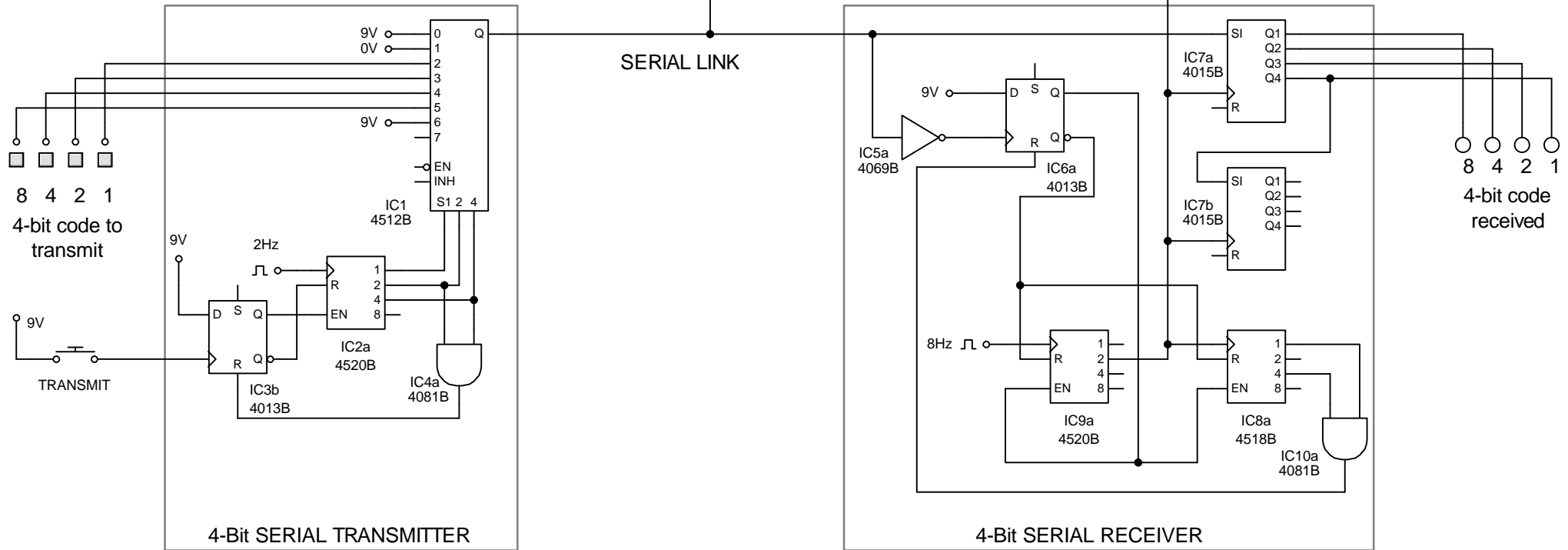


RS232 4 BIT TRANSMITTER

This is a simple 4 bit transmission system that follows the RS232 protocol. The signal is usually high. When TRANSMIT is pressed, a low start bit and 4 data bits are placed on the data line at a Baud of just 2! A high stop bit then follows but this is not checked by the receiver for simplicity.



Red = Serial link
Blue = Receiver clock

Notice how the receiver clock is 4x the speed of the transmitter. Usually it is 16x the speed of the transmitter.