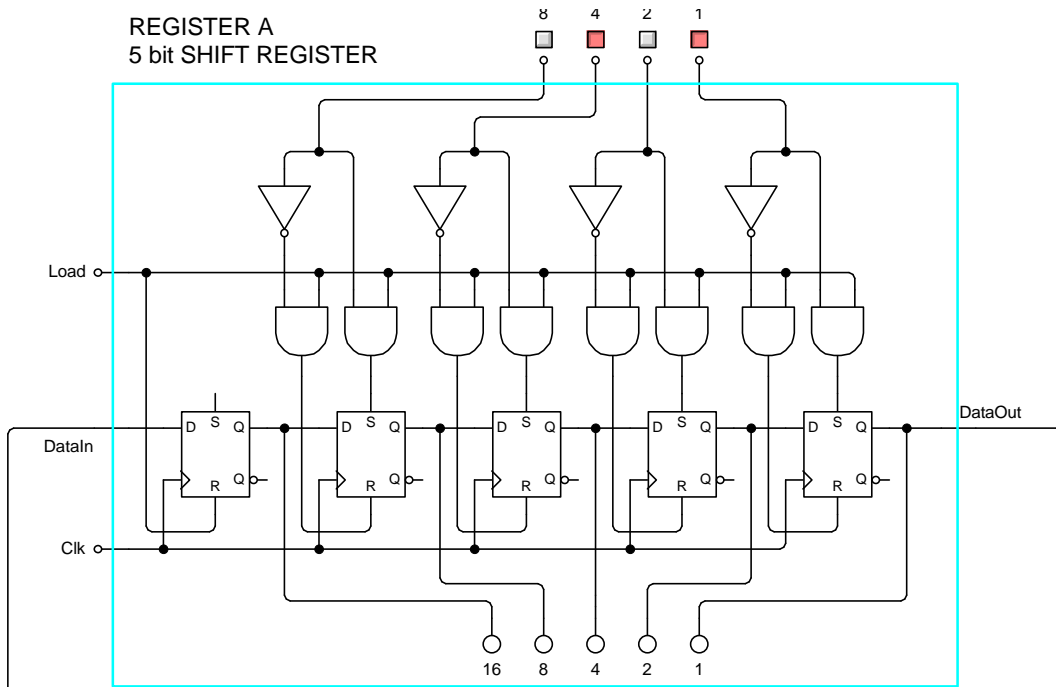
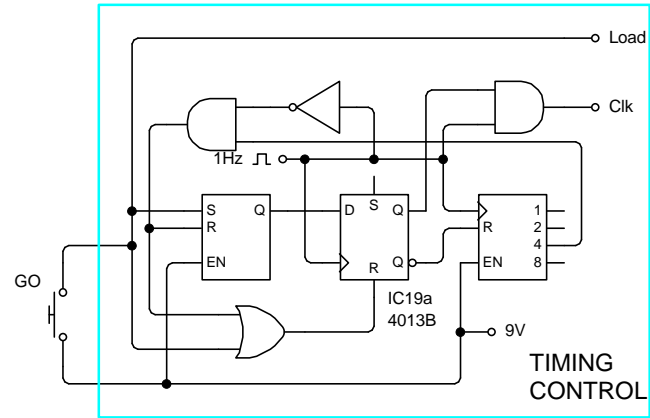


REGISTER A
5 bit SHIFT REGISTER



SERIAL 4 BIT ADDER

Set the inputs to Registers A and B then press GO.
The bits are shifted from the registers into the FULL ADDER. The bits are added and the result fed back to Register A. Any CARRY is held in Register C to be added to the next significant bit.



REGISTER B
4 bit SHIFT REG

