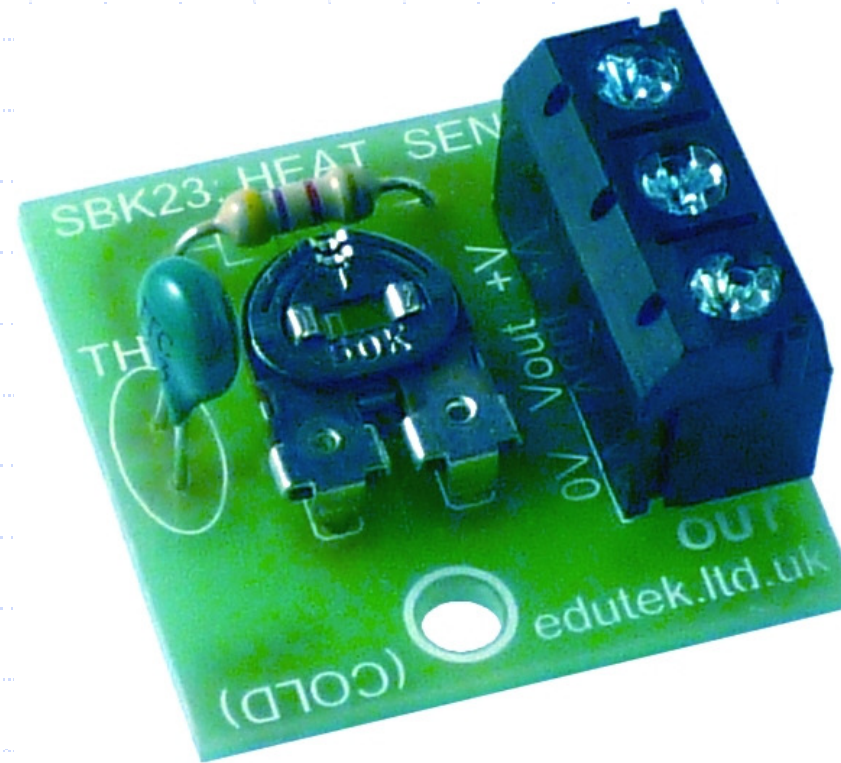


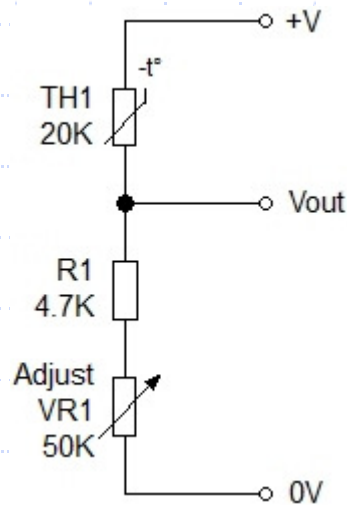
HEAT SENSOR BLOK

PCB ASSEMBLY INSTRUCTIONS



Circuit Details

The circuit is shown below with a parts list of components.
Check through this list and identify each component.



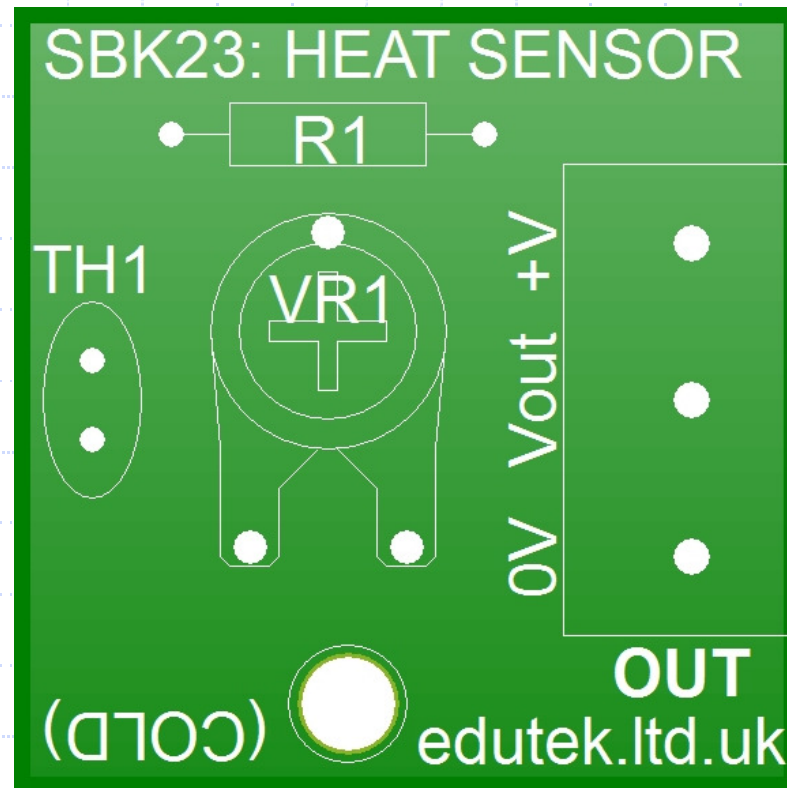
Label	Component Name	No.
R1	4.7K Ω resistor	1
VR1	50K Ω preset resistor	1
TH1	20K Ω thermistor	1

Miscellaneous	No.
3 way PCB terminal block	1

ASSEMBLY

Below is the PCB with no components.

The markings show the number and outline of each component.

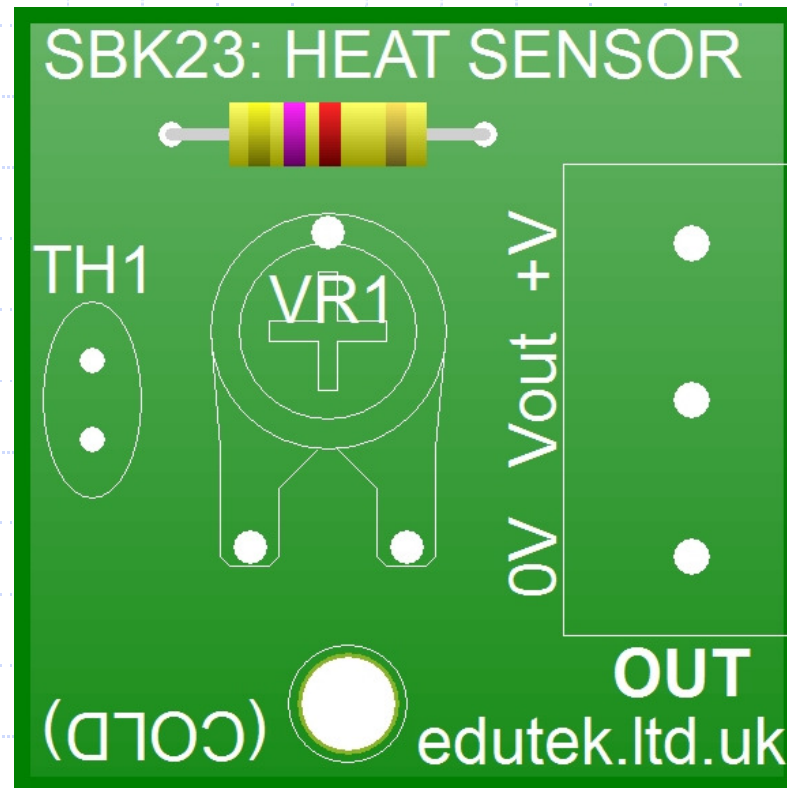


Before starting, check through the following:

- Ensure you have safety goggles and adequate ventilation.
- Use a soldering iron stand with a damp sponge to clean the iron tip regularly.
- Use some small Wire-cutters to remove excess wire and have some snipe -nose pliers.

Resistors

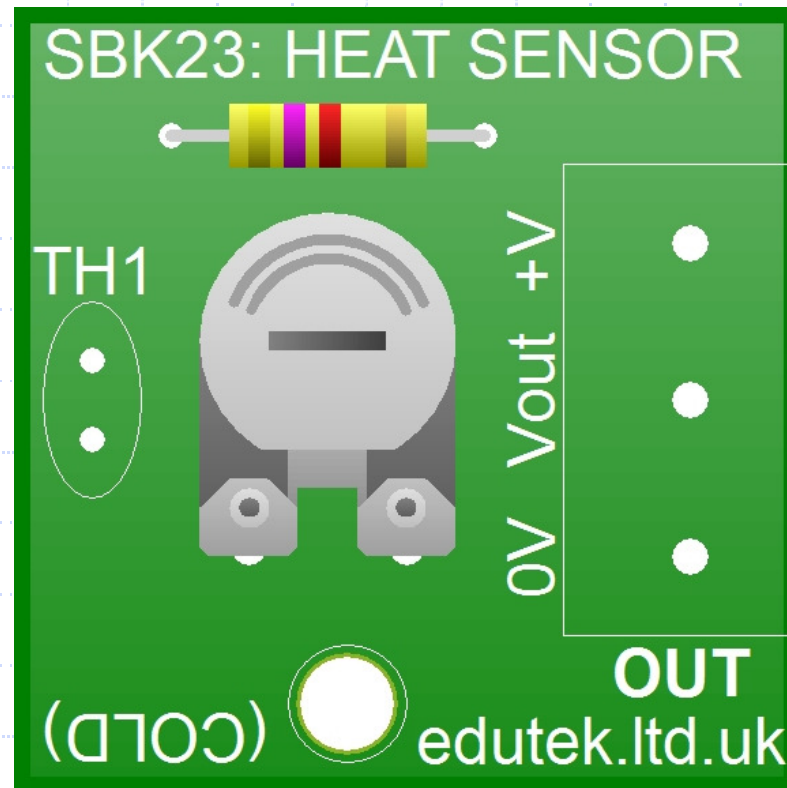
There is one resistor. It can be inserted either way round. Bend the legs near to the resistor body at 90 degrees to ease fitting into the PCB.



R1 = 4.7K Ω , (Yellow, violet, red, gold)

Preset Resistor

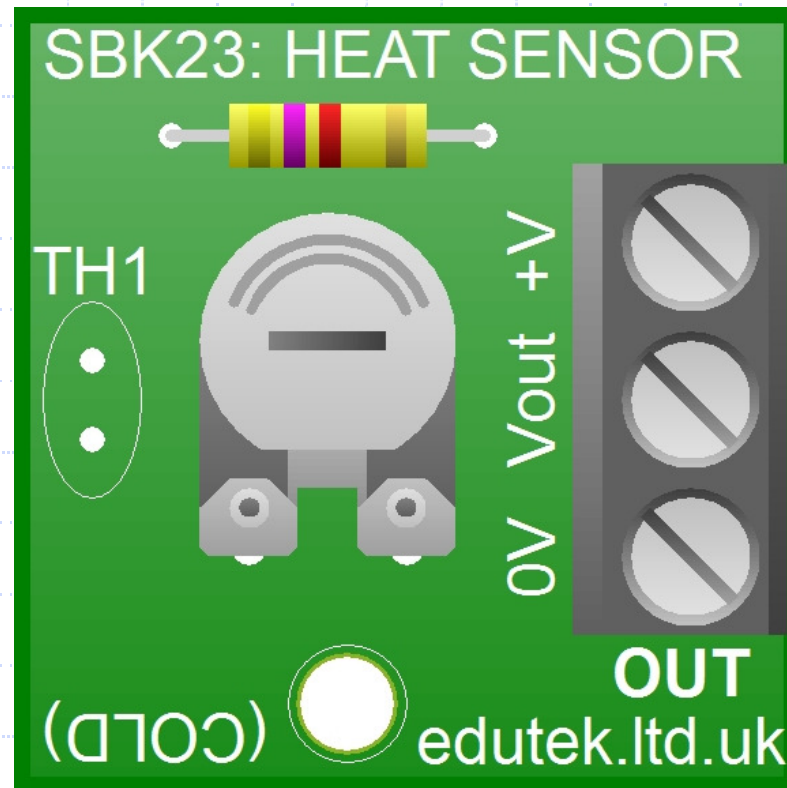
There is 1 preset resistor VR1, which is inserted as shown below. The pads are slightly larger for more solder.



VR1 = 50K Ω preset resistor, (may be 47K Ω)

Terminal Connector Blocks

There is one 3-way terminal block that fits on the right of the PCB. Ensure the openings are facing outwards.



Thermistor

The temperature sensor is a thermistor, TH1.

It can be inserted either way round. You only need to push it about half way into the PCB.

