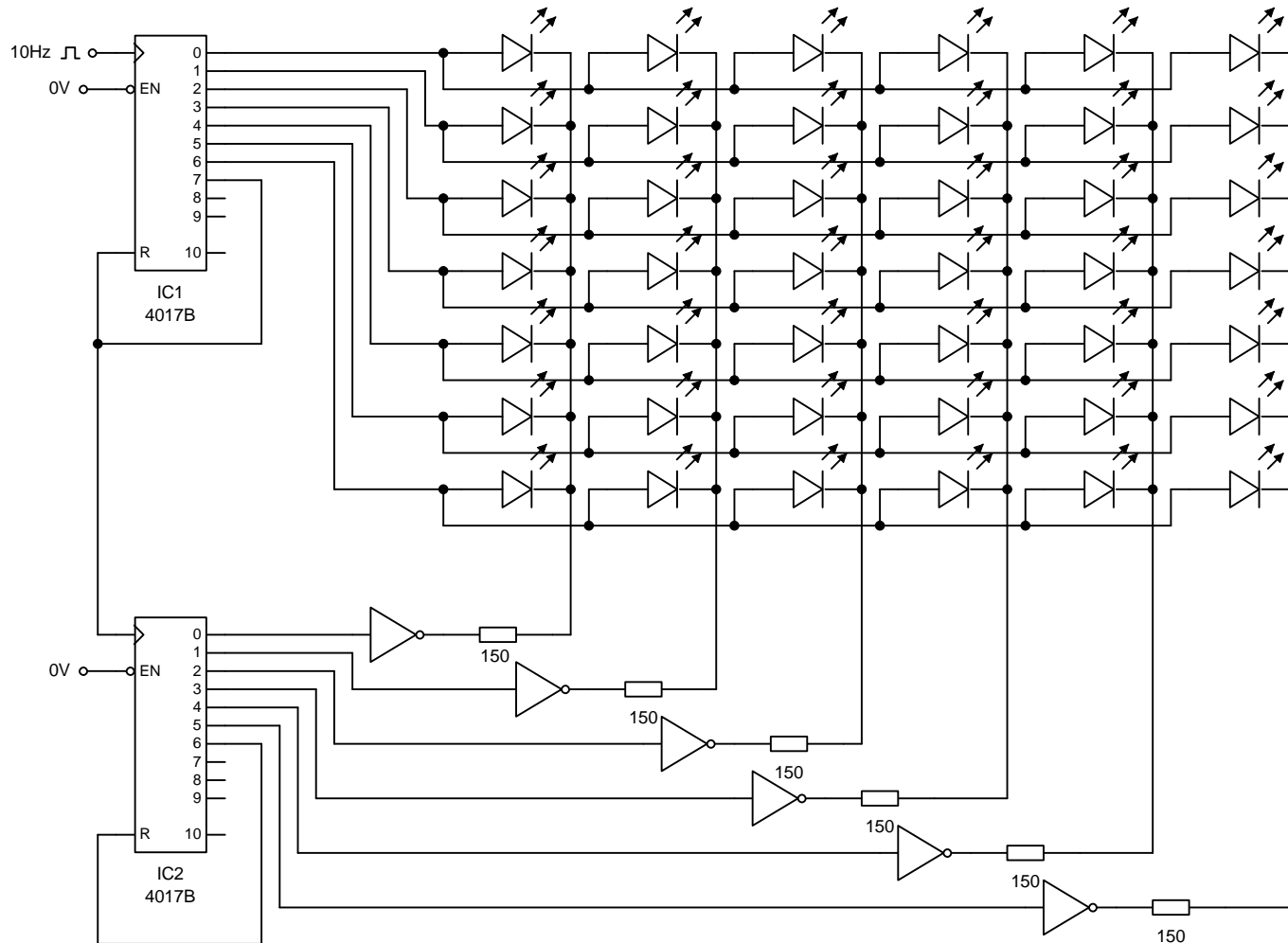


### 36 LED CHASER

This circuit uses 2 decade counters to provide a multiplexed output. One counter provides the source current and the other sinks using NOT gates. It should be noted this is only a demonstration circuit to display a principle of gaining many individual outputs from just 2 counters. The limit in this particular case is 100 LED's but using 16 decoded outputs via a 4-bit counter would give up to 256 LED's. The current available directly from the CMOS IC's is very limited. Proper drivers should be used if the circuit is to be practical.



by Phil Townshend  
www.edutek.ltd.uk