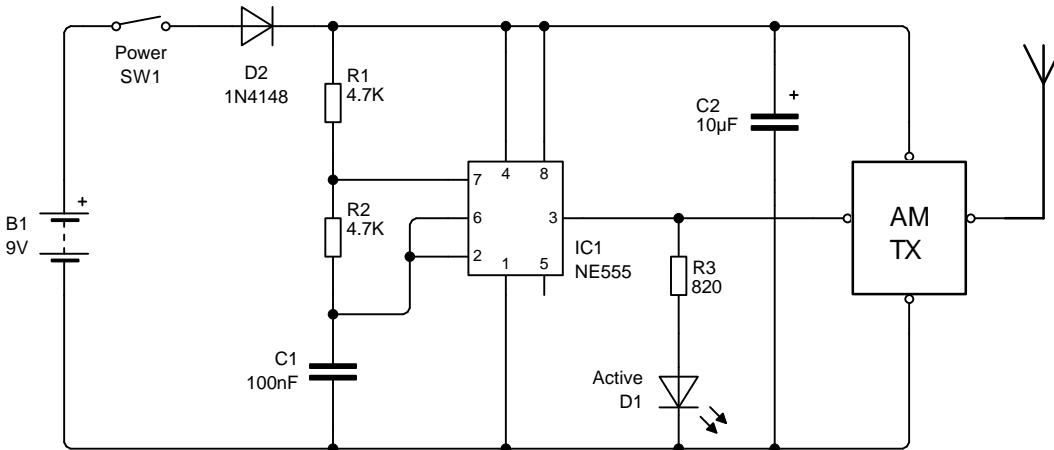


DOG WARDEN

This circuit transmits a carrier wave from the transmitter located on the dogs collar. When the receiver is in range, the LED (D5) is lit. When the dog moves out of range, the receiver produces a pulsed tone. Aerials can be as short as 10cm with 438MHz transmitters and still give a range of about 50-70 metres. The RF modules used are made by RF solutions and are available from Rapid Electronics.

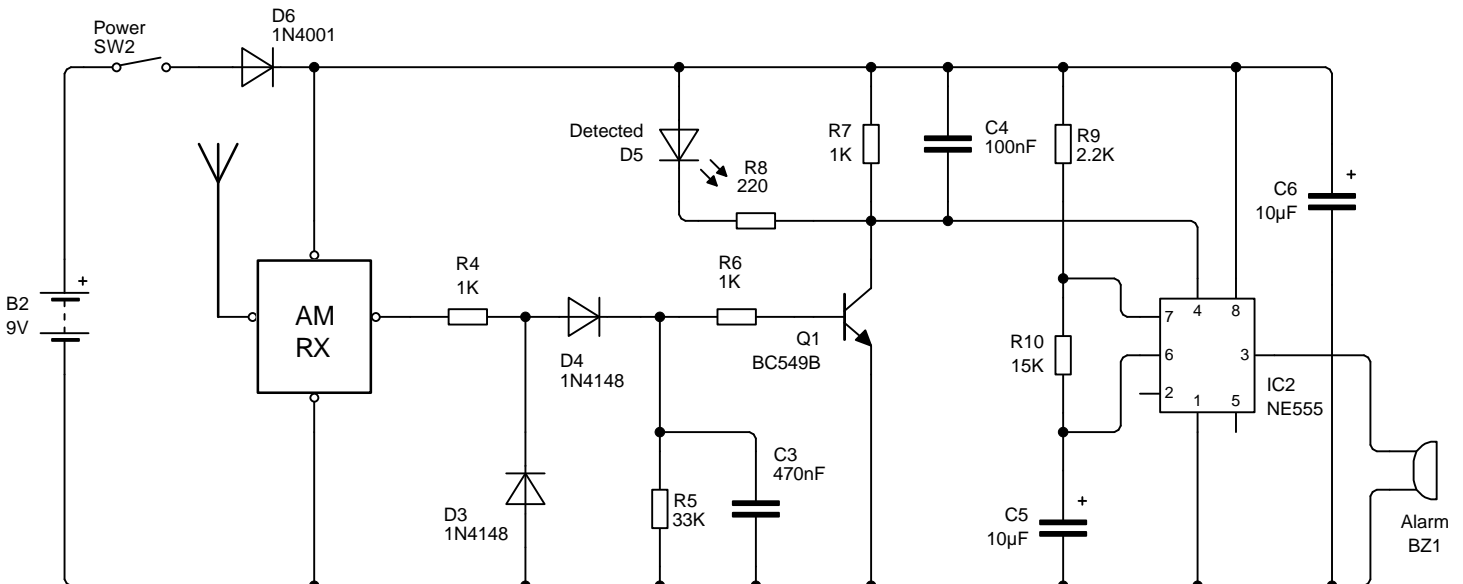
TRANSMITTER

This generates a frequency of 1KHz from the 555 astable and transmits it using the AM transmitter.



RECEIVER

When the carrier signal is detected, D5 lights and disables the 555 astable. When the signal is lost, the LED goes out and the astable produces a pulsed tone of about 4Hz.



Designed by Phil Tow nshend
EDUTEK LTD.
www.edutek.ltd.uk