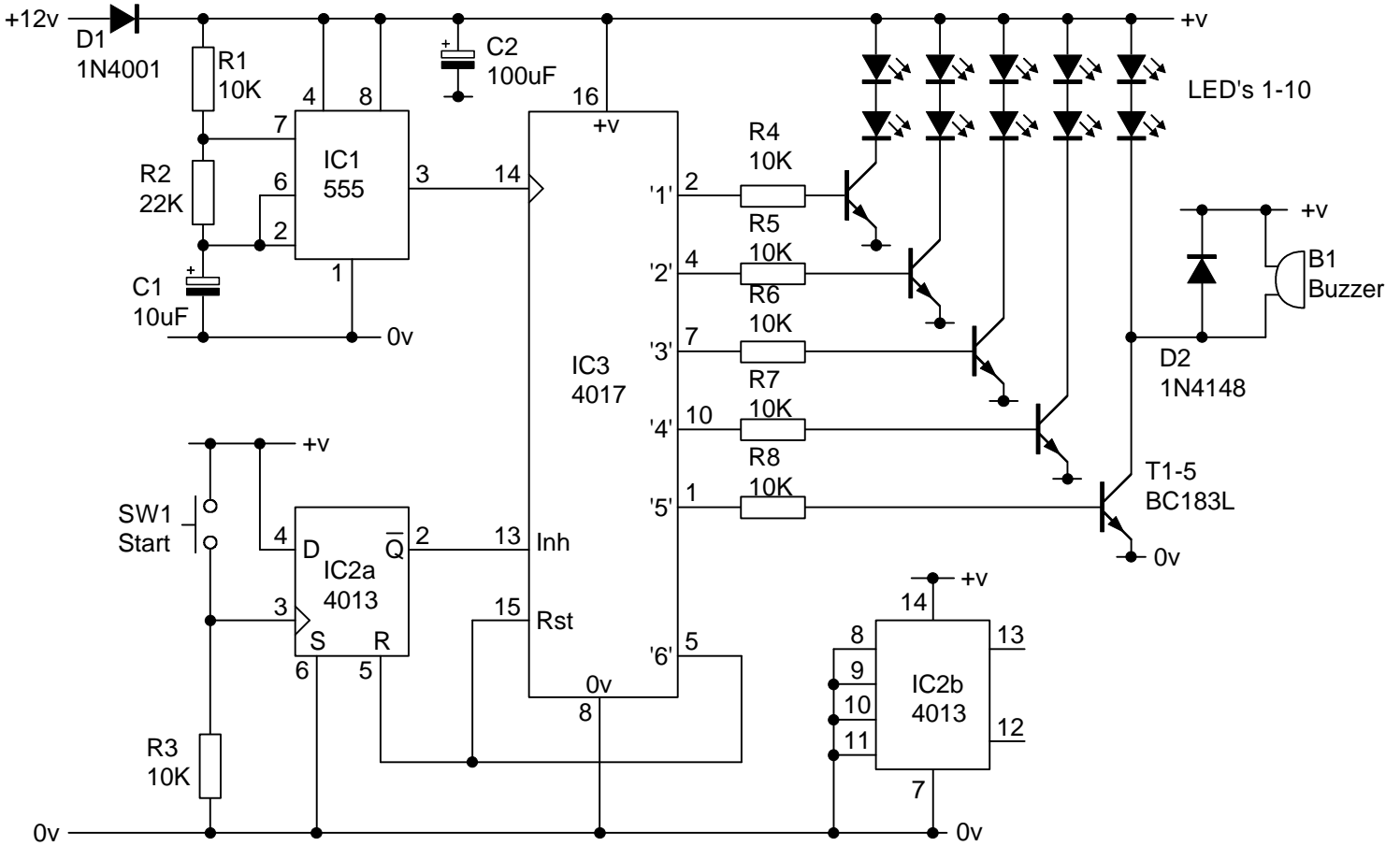


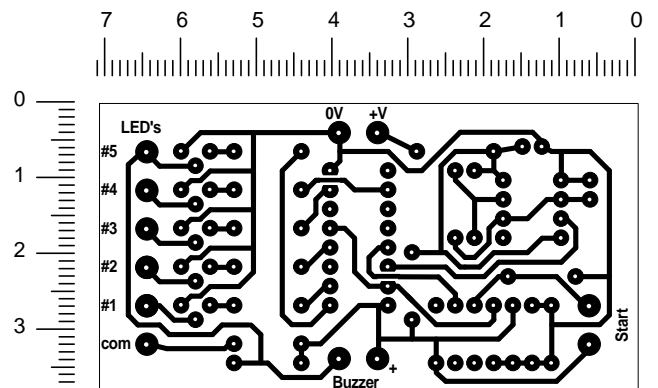
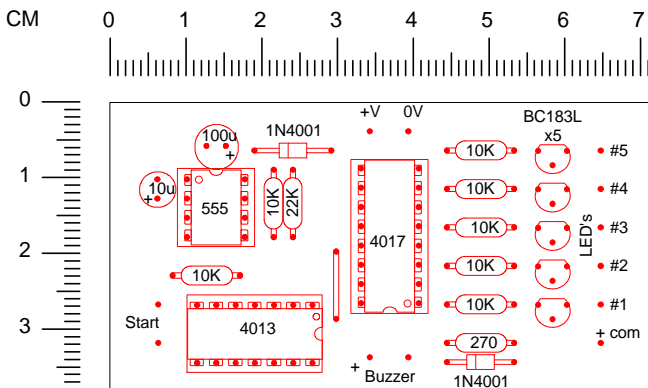
# SCALETRIX STARTER CONTROLLER

A basic sequencer that turns on 5 pairs of LED's at a rate of around 1Hz and sounds a buzzer on the last one to signify the start of a race. If using a power supply from the scalectrix, be sure it is a regulated supply.

LED's should be 5-10mm type with the last pair a different colour.



Board size: 71mm x 39mm



NOTE: The orientation of IC3 (4017) is upside down.