

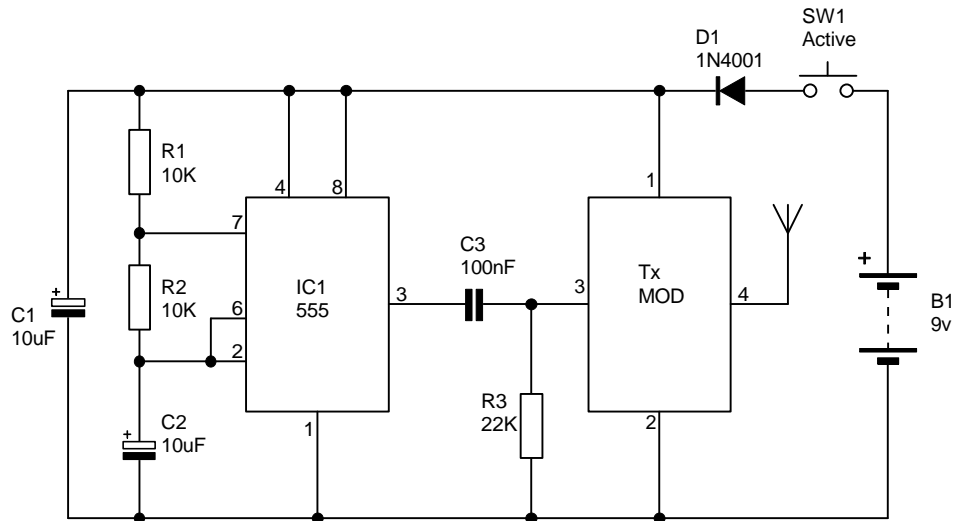
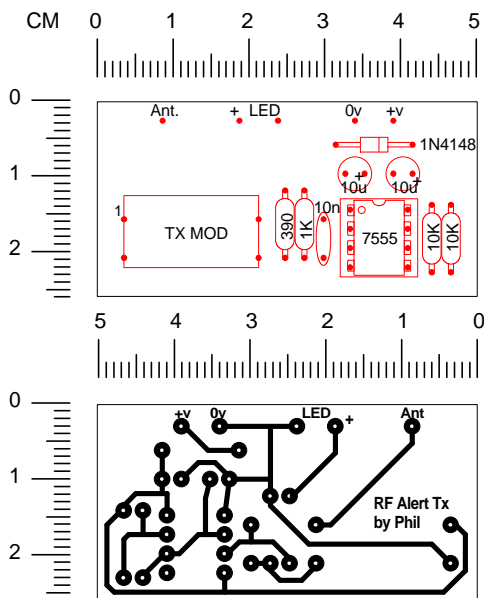
REMOTE CONTROL BEEPER

This circuit design is based upon the Rx/Tx 433MHz AM modules commonly available. When the transmitter is activated it sends bursts of carrier wave to the receiver sounding the buzzer. Couldn't be simpler! The ariel ideally should be around 66cm but a short length of wire about 10cm still provided a range of about 25m.

Transmitter:

433MHz AM Transmitter - Rapid order code: 43-0200

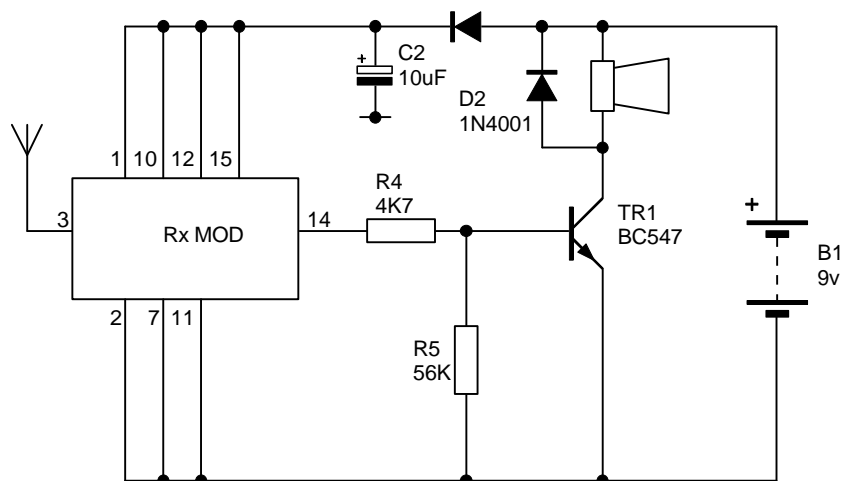
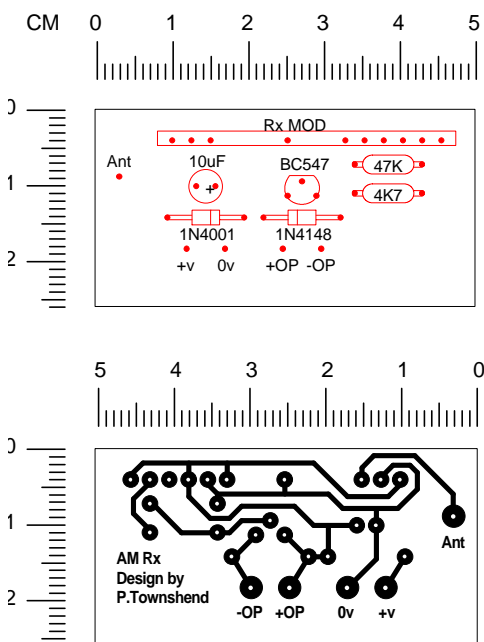
Board size: 50mm x 26mm



Receiver:

433MHz AM Receiver - Rapid order code: 43-0210

Board size: 50mm x 26mm



Designed by Phil Townshend 2005