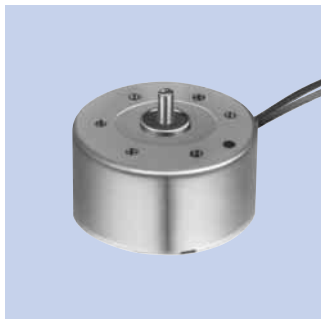


Typical Applications Audio and Visual Equipments : CD Player / Headphone Stereo / Car CD Player / DVD Player
Office Automation Equipments : CD/DVD-ROM Drive

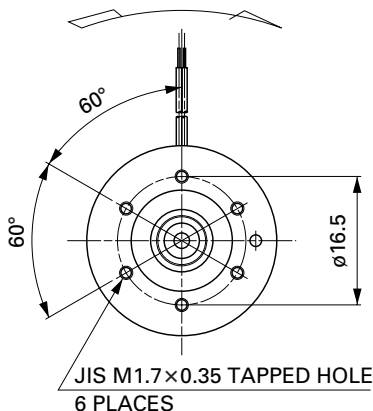


MODEL	VOLTAGE		NO LOAD		AT MAXIMUM EFFICIENCY					STALL		
	OPERATING RANGE	NOMINAL	SPEED	CURRENT	SPEED	CURRENT	TORQUE		OUTPUT	TORQUE		CURRENT
			r/min	A	r/min	A	mN-m	g-cm	W	mN-m	g-cm	A
RF-300CA-11440	0.7 ~ 5.0	2V CONSTANT	2200	0.018	1660	0.055	0.28	2.9	0.049	1.14	12	0.17
RF-300CA-11400	1.2 ~ 6.0	3V CONSTANT	3700	0.018	2970	0.073	0.38	3.8	0.12	1.91	20	0.30
RF-300CA-09550	1 ~ 6	3V CONSTANT	2700	0.012	2100	0.042	0.27	2.8	0.060	1.24	13	0.15
RF-300CA-14270	0.5 ~ 4.0	1.9V CONSTANT	3500	0.032	2740	0.12	0.38	3.9	0.11	1.76	18	0.42

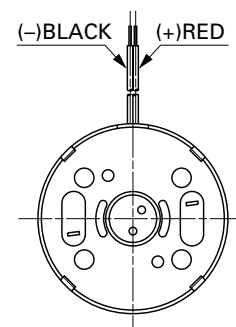
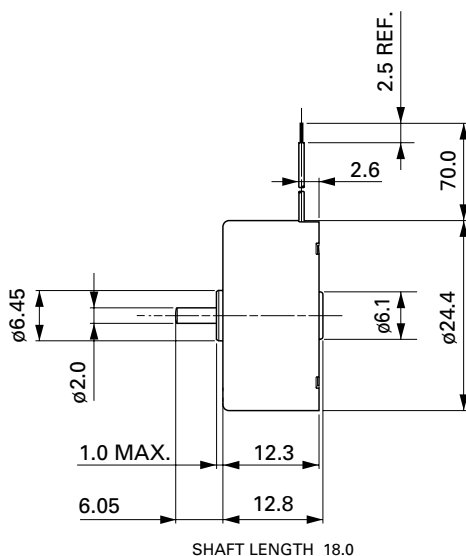
*High temperature specification motor is also available.
*Also available with terminals (without leadwires).

UNIT: MILLIMETERS

DIRECTION OF ROTATION



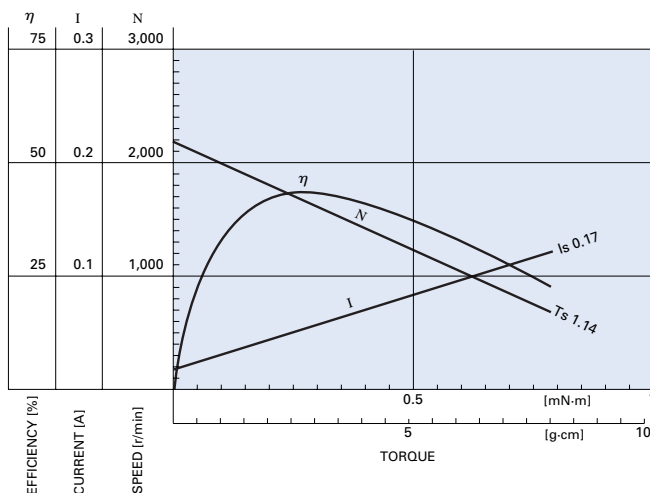
取付けネジはモータケース面より1.1以下
Usable machine screw length 1.1 max. from motor mounting surface.



WEIGHT: 22g (APPROX)

RF-300CA-11440

2.0V



RF-300CA-11400

3.0V

