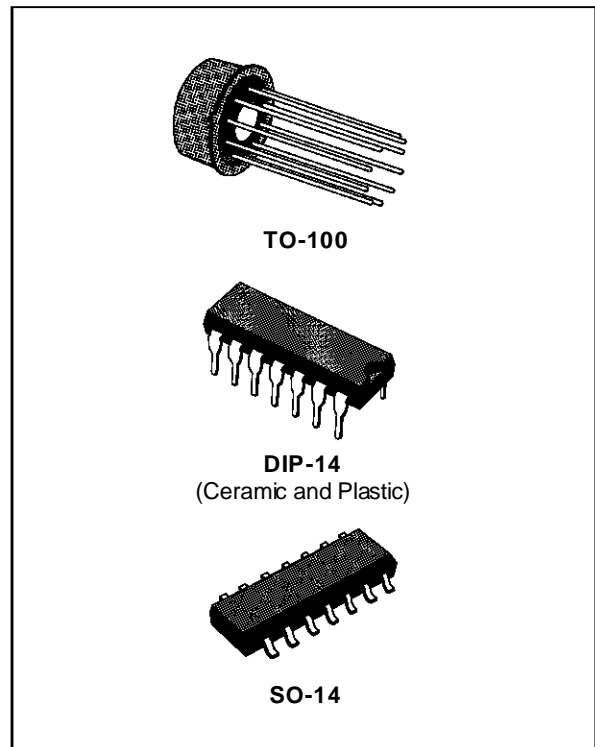


## HIGH PRECISION VOLTAGE REGULATOR

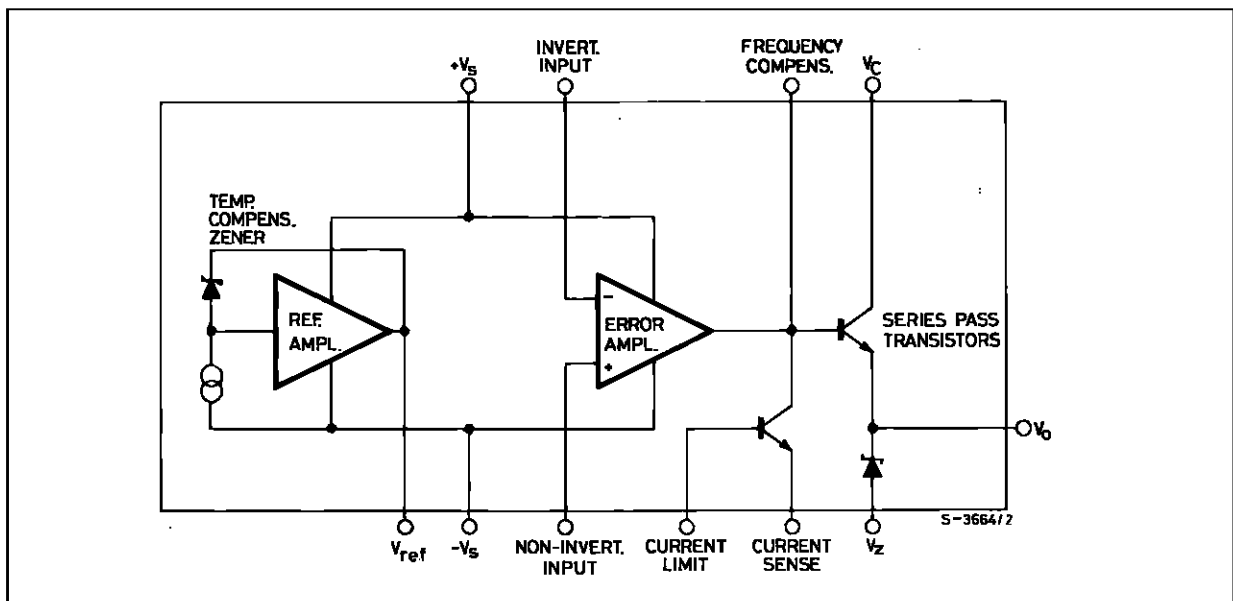
- INPUT VOLTAGE UP TO 40V
- OUTPUT VOLTAGE ADJUSTABLE FROM 2 TO 37V
- POSITIVE OR NEGATIVE SUPPLY OPERATION
- SERIES, SHUNT, SWITCHING OR FLOATING OPERATION
- OUTPUT CURRENT TO 150mA WITHOUT EXTERNAL PASS TRANSISTOR
- ADJUSTABLE CURRENT LIMITING

### DESCRIPTION

The LM723 is a monolithic integrated programmable voltage regulator, assembled in 14-lead dual in-line plastic and ceramic package, 10-lead Metal Can (TO-100 type) and SO-14 micropackage. The circuit provides internal current limiting. When the output current exceeds 150mA an external NPN or PNP pass element may be used. Provisions are made for adjustable current limiting and remote shut-down.



### BLOCK DIAGRAM



## LM723

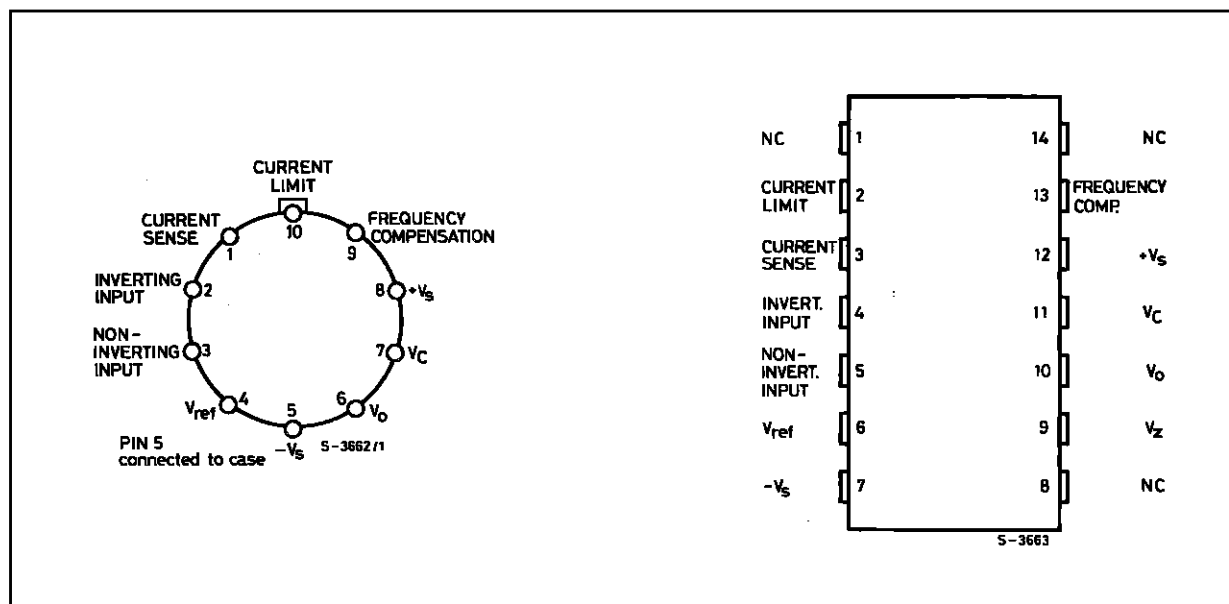
### ABSOLUTE MAXIMUM RATINGS

Symbol	Parameter	LM723	LM723C	Unit
$V_i$	Input Voltage	40	40	V
$\Delta V_{i-o}$	Dropout Voltage	40	40	V
$I_o$	Output Current	150	150	mA
$I_{ref}$	Current from $V_{ref}$	15	25	mA
$T_{op}$	Operating Temperature	- 55 to 125	0 to 70	°C
$T_{stg}$	Storage Temperature	- 65 to 150	- 65 to 150	°C
$T_j$	Junction Temperature	150	125	°C

### THERMAL DATA

Symbol	Parameter	Max	Plastic DIP-14	Ceramic DIP-14	TO-100	SO-14	Unit
$R_{th\ j-amb}$	Thermal Resistance Junction-ambient	Max	200	150	155	165	°C/W

### PIN CONNECTION (top views)



### ORDER CODES

Type	TO-100	Ceramic DIP-14	Plastic DIP-14	SO-14
LM723	LM723H	LM723J		
LM723C	LM723CH	LM723CJ	LM723CN	LM723CD

**ELECTRICAL CHARACTERISTICS** (refer to the test circuit,  $T_{amb} = 25^{\circ}\text{C}$  unless otherwise specified)

Symbol	Parameter	Test Conditions	LM723C			LM723			Unit
			Min.	Typ.	Max.	Min.	Typ.	Max.	
$\frac{\Delta V_o}{\Delta V_i}$	Line Regulation	$V_i = 12 \text{ to } 15\text{V}$		0.01	0.1		0.01	0.1	%
		$V_i = 12 \text{ to } 40\text{V}$		0.1	0.5		0.02	0.2	
		$V_i = 12 \text{ to } 15\text{V} ;$ $T_{min} \leq T_{amb} \leq T_{max}$			0.3			0.3	
$\frac{\Delta V_o}{V_o}$	Load Regulation	$I_o = 1 \text{ to } 50\text{mA}$		0.03	0.2		0.03	0.15	%
		$T_{min} \leq T_{amb} \leq T_{max}$ $I_o = 1 \text{ to } 10\text{mA}$			0.6			0.6	
$V_{REF}$	Reference Voltage	$I_{ref} = 160\mu\text{A}$	6.8	7.15	7.5	6.95	7.15	7.35	V
SVR	Ripple Rejection	$f = 100\text{Hz to } 10\text{KHz}$ $C_{ref} = 0$ $C_{ref} = 5\mu\text{F}$		74 86			74 86		dB dB
$\frac{\Delta V_o}{\Delta T}$	Output Voltage Drift				150			150	$\frac{\text{ppm}}{^{\circ}\text{C}}$
$I_{sc}$	Short Circuit Current Limiting	$R_{sc} = 10\Omega \quad V_o = 0$		65			65		mA
$V_i$	Input Voltage Range		9.5		40	9.5		40	V
$V_o$	Output Voltage Range		2		37	2		37	V
$V_i - V_o$			3		38	3		38	V
$I_d$	Quiescent Drain Current	$I_o = 0$ $V_i = 30\text{V}$		2.3	4		2.3	5	mA
$K_{VH}$	Long Term Stability			0.1			0.1		$\frac{\%}{1000 \text{ hrs}}$
$e_N$	Output Noise Voltage	$\text{BW} = 100\text{Hz to } 10\text{KHz}$ $C_{ref} = 0$ $C_{ref} = 5\mu\text{F}$		20			20		$\mu\text{V}$ $\mu\text{V}$
				2.5			2.5		

**Note :**  $T_{min} = 0^{\circ}\text{C}$  (LM723C) ;  $-55^{\circ}\text{C}$  (LM723)  
 $T_{max} = 70^{\circ}\text{C}$  (LM723C) ;  $125^{\circ}\text{C}$  (LM723).

**TEST CIRCUIT** (pin configuration relative to the plastic package)

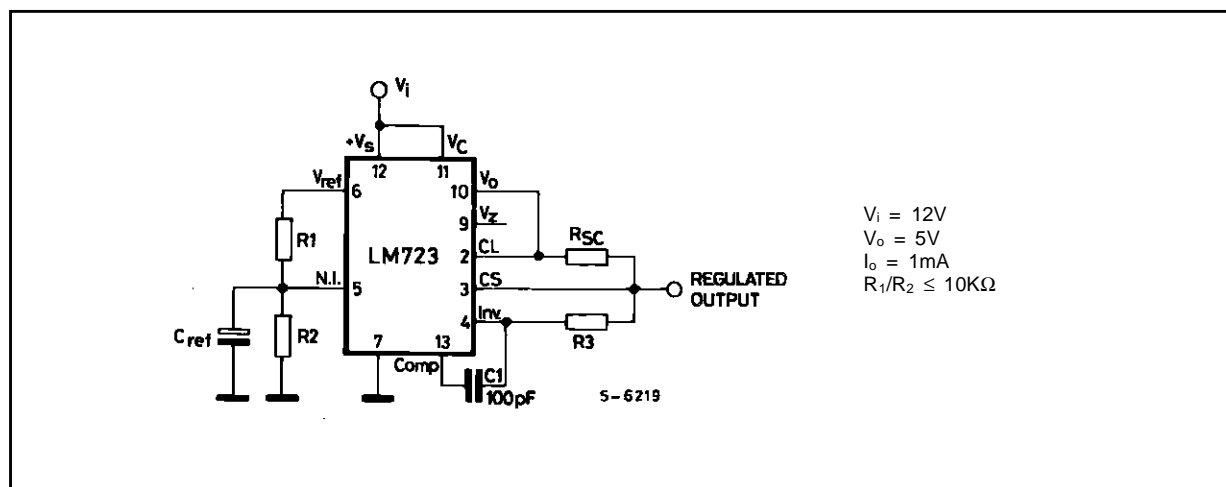


Figure 1 : Maximum Output Current vs. Voltage Drop.

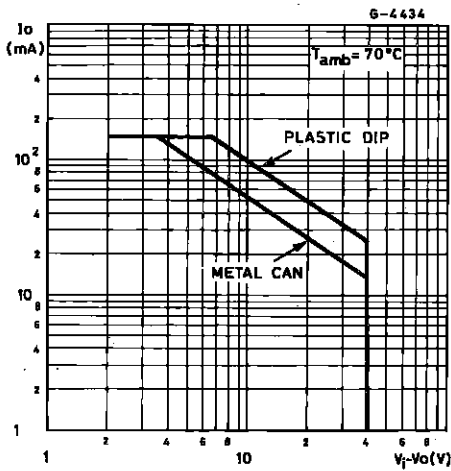


Figure 3 : Current Limiting Characteristics vs. Junction Temperature.

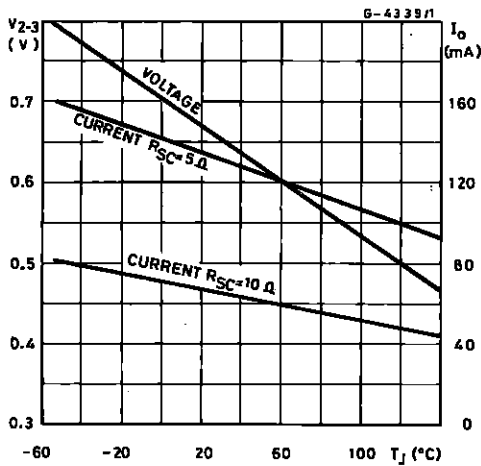


Figure 5 : Load Regulation Characteristics with Current Limiting.

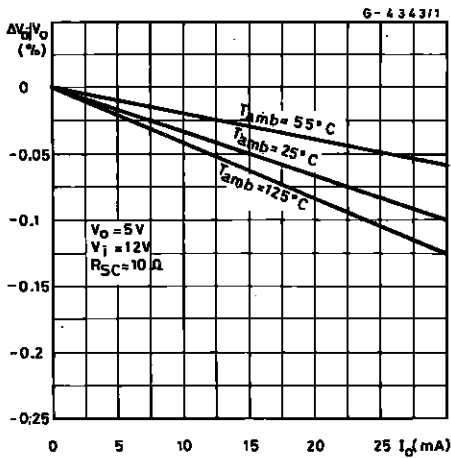


Figure 2 : Current Limiting Characteristics.

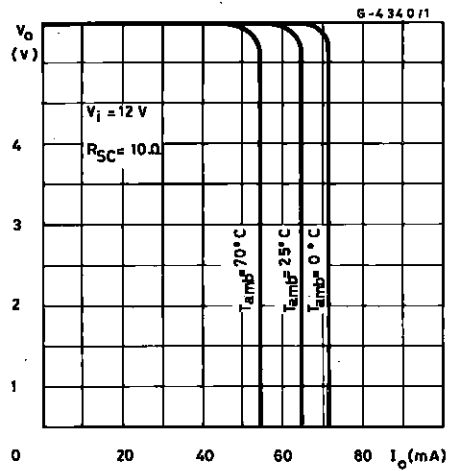


Figure 4 : Load Regulation Characteristics without Current Limiting.

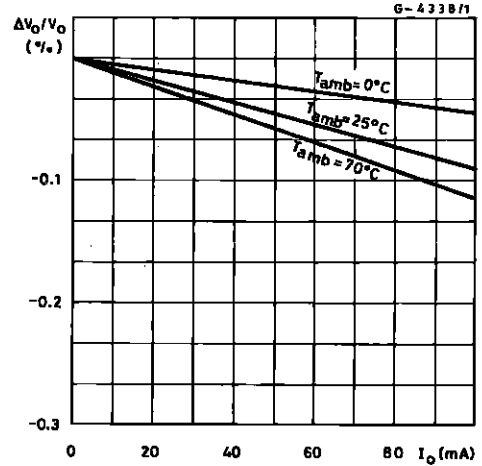


Figure 6 : Load Regulation Characteristics with Current Limiting

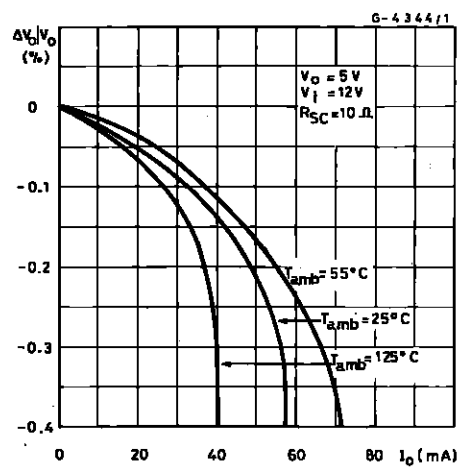


Figure 7 : Line Regulation vs. Voltage Drop.

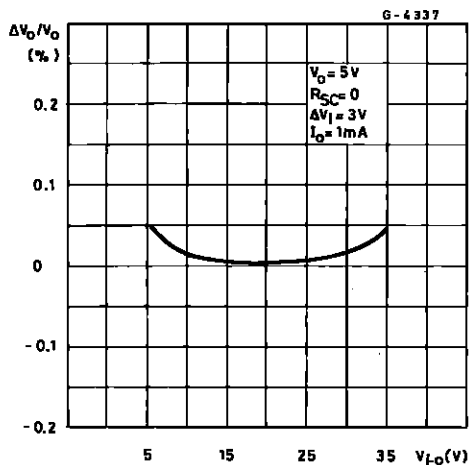


Figure 8 : Load Regulation vs. Voltage Drop.

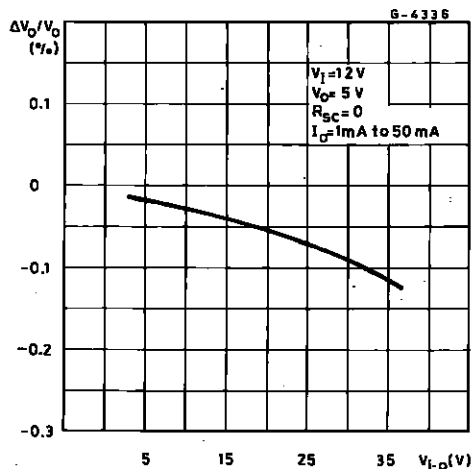


Figure 9 : Quiescent Drain Current vs. Input Voltage.

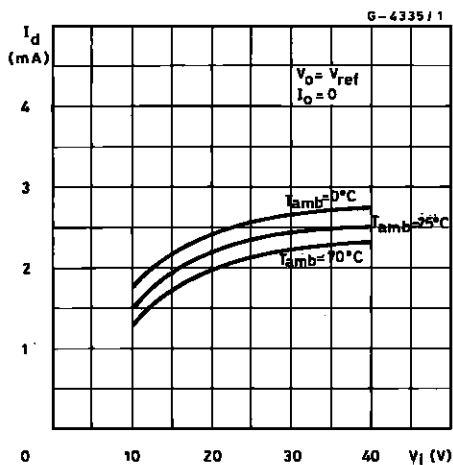


Figure 10 : Line Transient Response.

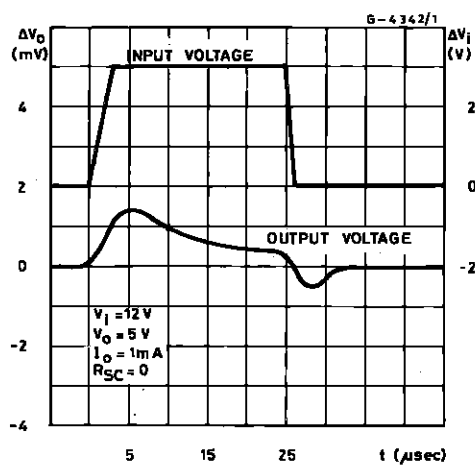


Figure 11 : Load Transient Response.

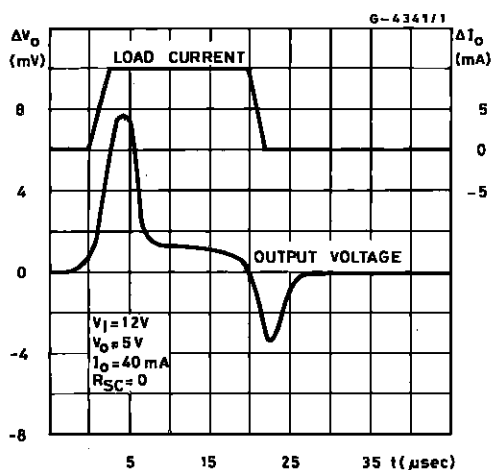
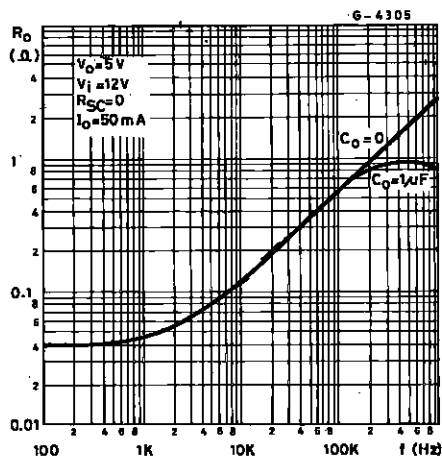


Figure 12 : Output Impedance vs. Frequency.



**Table 1** : Resistor Values (KΩ) for Standard Output Voltages.

Output Voltage	Applicable Figures	Fixed Output ± 5%		Output Adjustable ± 10% (°)			Output Voltage	Applicable Figures	Fixed Output ± 5%		Output Adjustable ± 10% (°)		
		R <sub>1</sub>	R <sub>2</sub>	R <sub>1</sub>	P <sub>1</sub>	R <sub>2</sub>			R <sub>1</sub>	R <sub>2</sub>	R <sub>1</sub>	P <sub>1</sub>	R <sub>2</sub>
+ 3	13, 16	4.12	3.01	1.8	0.5	1.2	+ 100						
+ 5	13, 16	2.15	4.99	0.75	0.5	2.2	+ 250						
+ 6	13, 16	1.15	6.04	0.5	0.5	2.7	- 6(°)	15	3.57	2.43	1.2	0.5	0.75
+ 9	14, 16	1.87	7.15	0.75	1	2.7	- 9	15	3.48	5.36	1.2	0.5	2
+ 12	14, 16	4.87	7.15	2	1	3	- 12	15	3.57	8.45	1.2	0.5	3.3
+ 15	14, 16	7.87	7.15	3.3	1	3	- 15	15	3.65	11.5	1.2	0.5	4.3
+ 28	14, 16	21	7.15	5.6	1	2	- 28	15	3.57	24.3	1.2	0.5	10

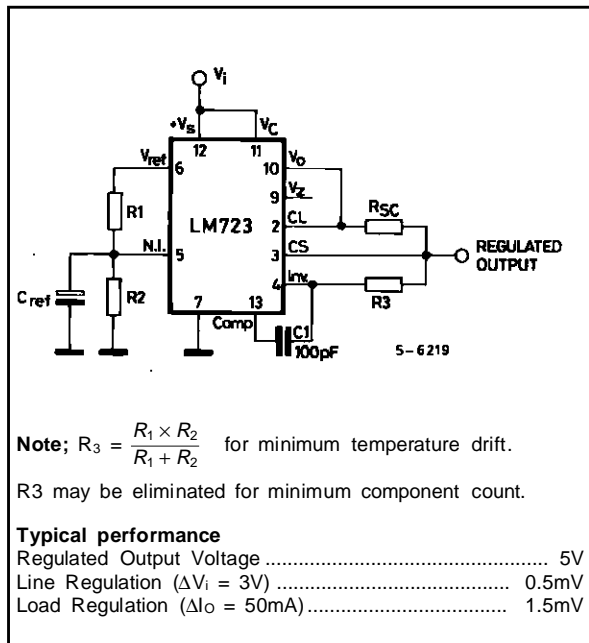
**Note** : (°) Replace R<sub>1</sub>/R<sub>2</sub> divider with the circuit of fig. 24.  
 (°°) V\* must be connected to a + 3V or greater supply.

**Table 2** : Formulae for Intermediate Output Voltages.

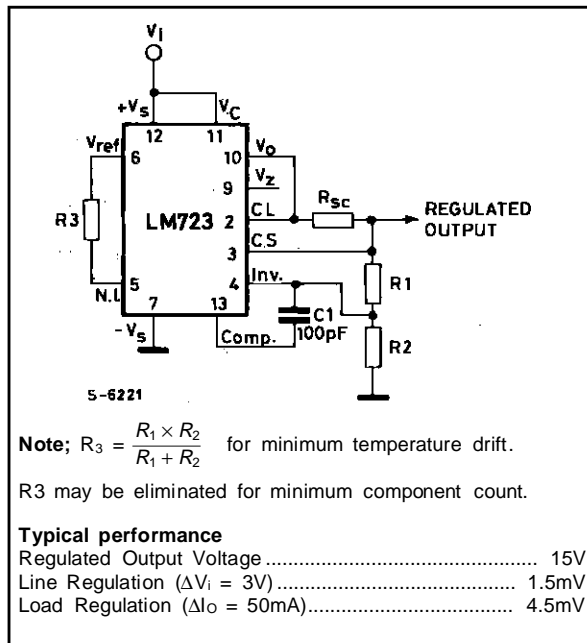
Outputs from + 2 to + 7 Volts Fig. 13, 16 $V_O = [ V_{ref} \times \frac{R_2}{R_1 + R_2} ]$		Current Limiting $I_{LIMIT} = \frac{V_{SENSE}}{R_{sc}}$
Outputs from + 7 to + 37 Volts Fig. 14, 16, $V_O = [ V_{ref} \times \frac{R_1 + R_2}{R_2} ]$	Output from - 6 to - 250 Volts Fig. 15, 20 $V_O = [ -\frac{V_{ref}}{2} \times \frac{R_1 + R_2}{R_1} ] ; R_3 = R_4$	Foldback Current Limiting $I_{KNEE} = [ \frac{V_O R_3}{R_{sc} R_4} + \frac{V_{SENSE} (R_3 + R_4)}{R_{sc} R_4} ]$ $I_{SHORT\ CKT} = [ \frac{V_{SENSE}}{R_{sc}} \times \frac{R_3 + R_4}{R_4} ]$

**APPLICATION INFORMATION** (pin numbers relative to the plastic package).

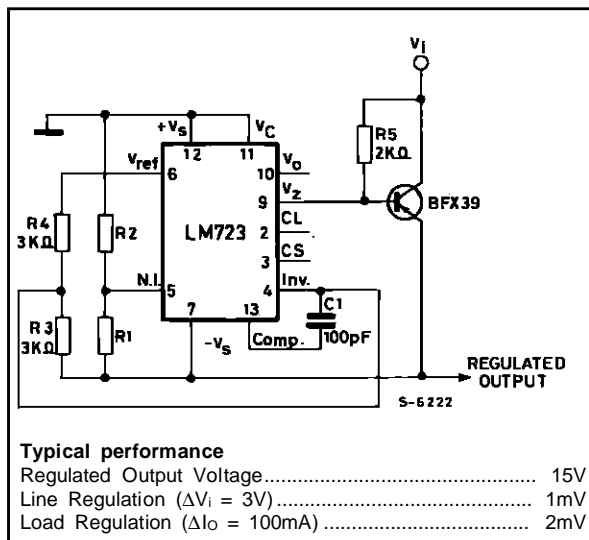
**Figure 13 :** Basic Low Voltage Regulator  
( $V_o = 2$  to  $7V$ ).



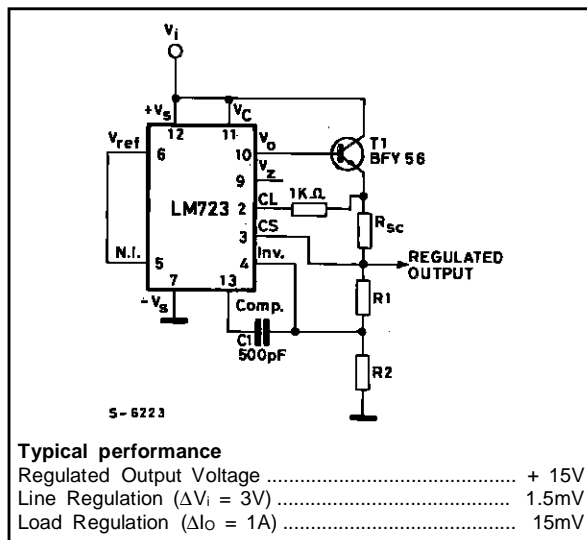
**Figure 14 :** Basic High Voltage Regulator  
( $V_o = 7$  to  $37V$ ).



**Figure 15 :** Negative Voltage Regulator.



**Figure 16 :** Positive Voltage Regulator (external NPN Pass Transistor).



APPLICATION INFORMATION (continued).

Figure 17 : Positive Voltage Regulator (External PNP Pass Transistor)

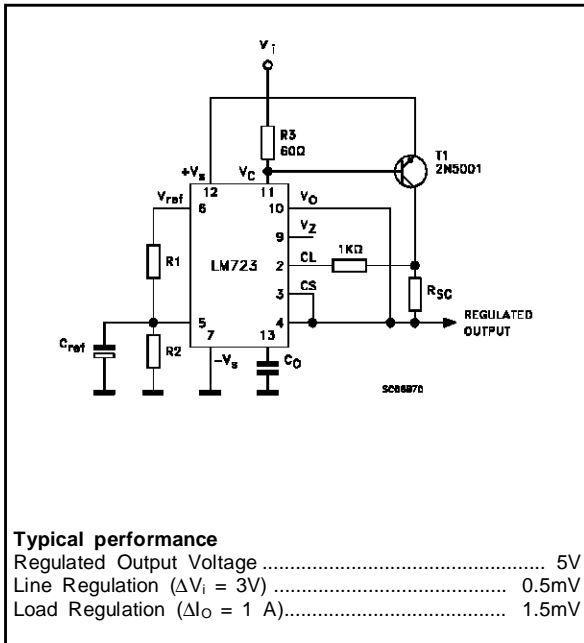


Figure 18 : Foldback current limiting

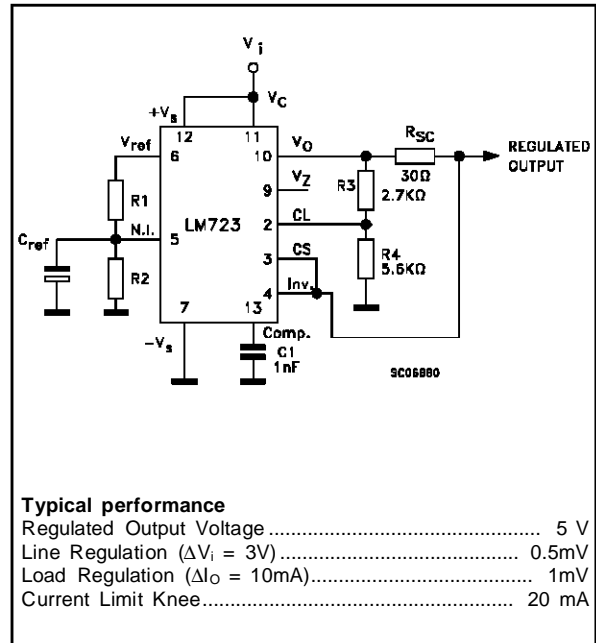


Figure 19 : Positive Floating Regulator

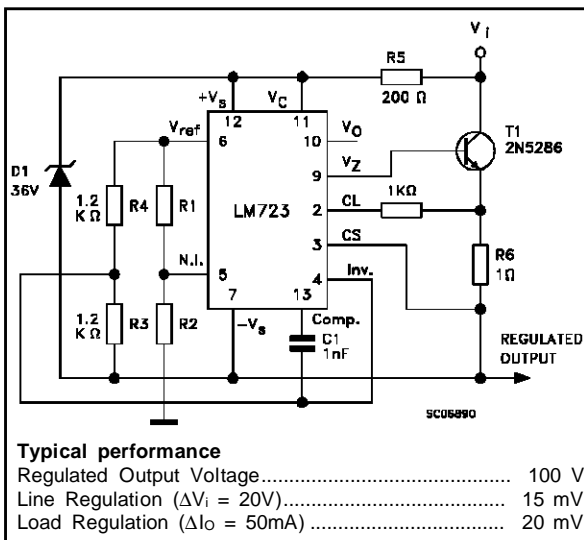
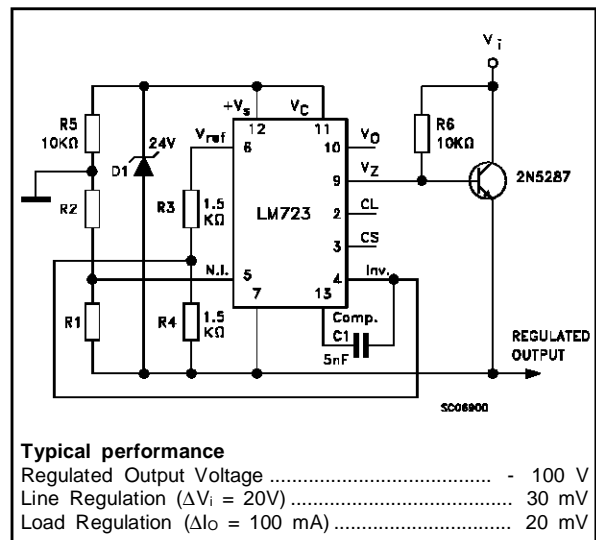


Figure 20 : Negative Floating Regulator





APPLICATION INFORMATION (continued).

Figure 21 : Positive Switching Regulator

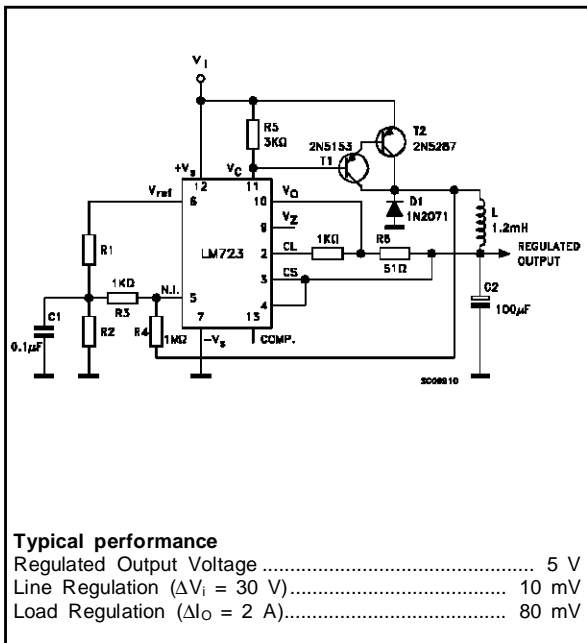


Figure 22 : Remote Shutdown Regulator With Current Limiting

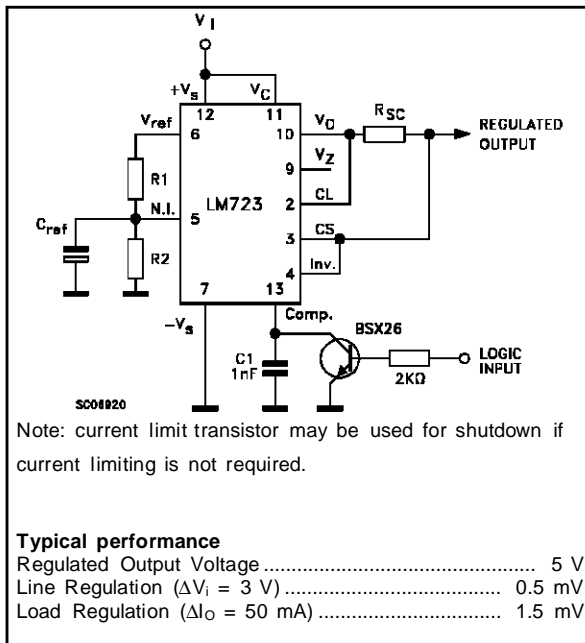


Figure 23 : Shunt Regulator.

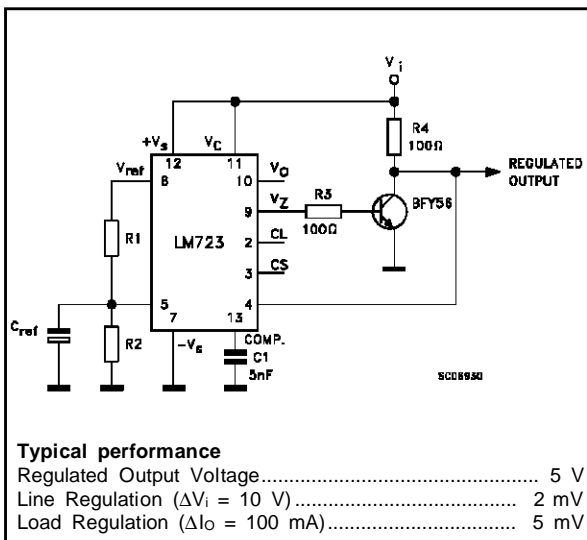
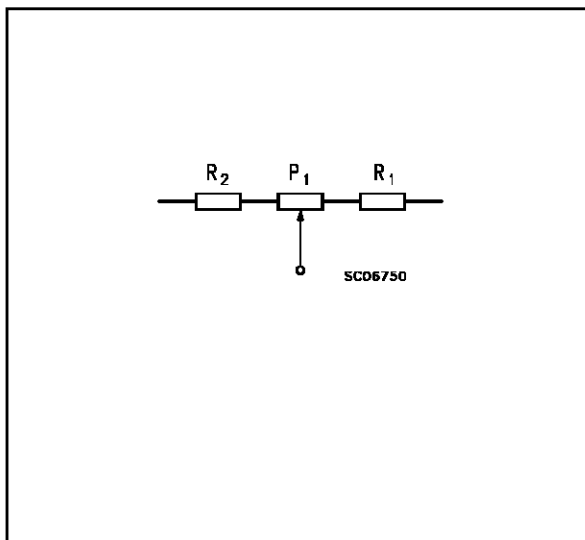
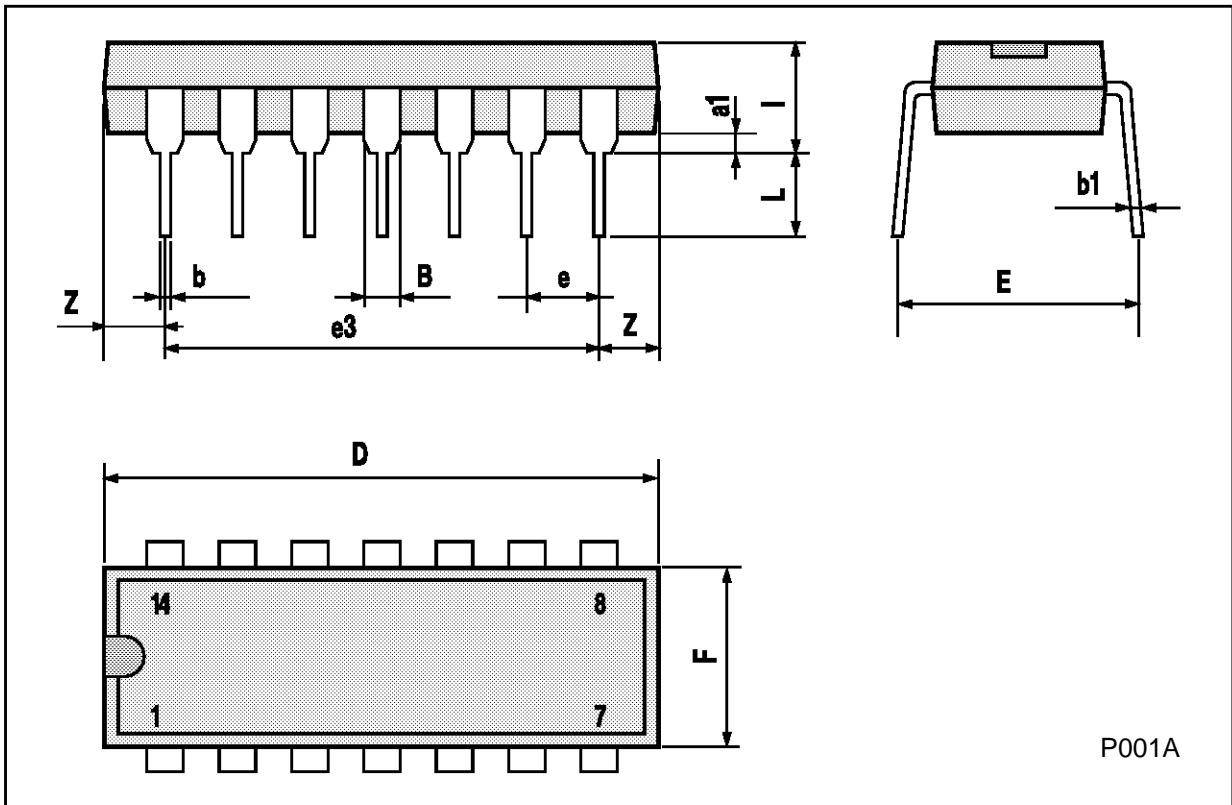


Figure 24 : Output Voltage Adjust



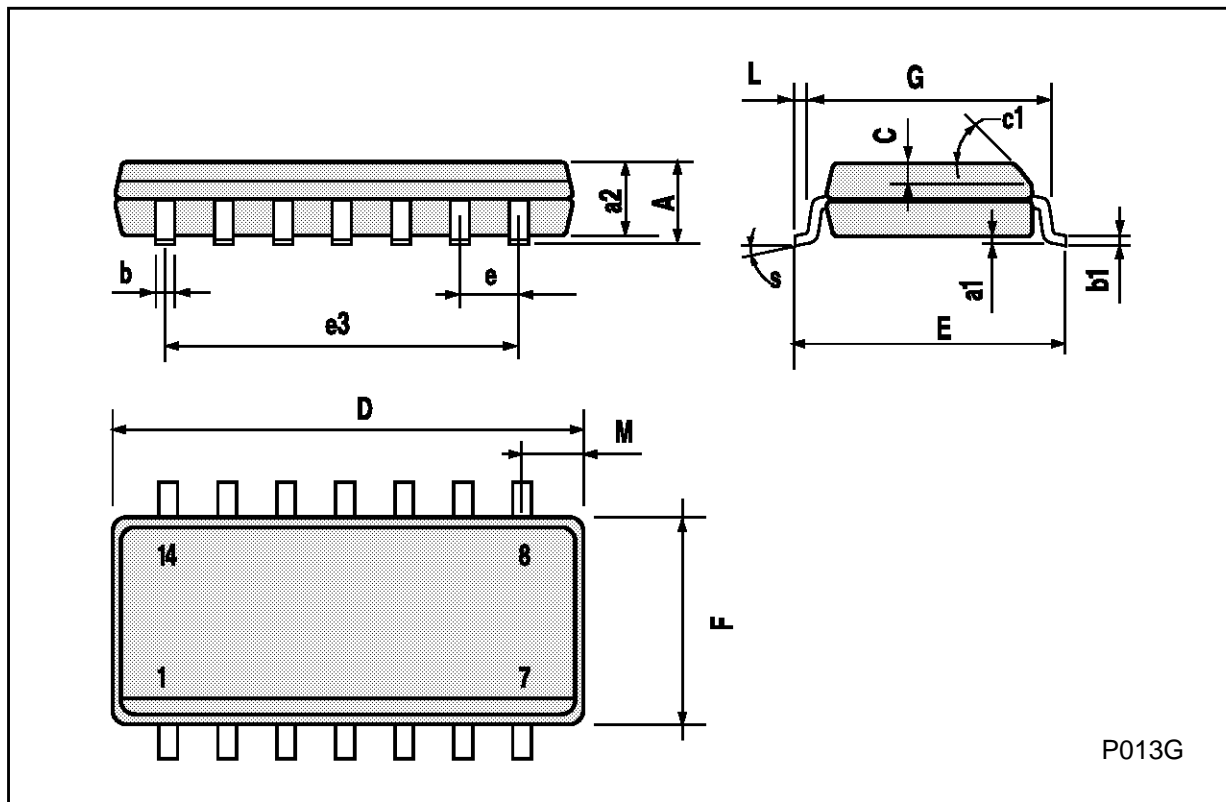
**Plastic DIP14 MECHANICAL DATA**

DIM.	mm			inch		
	MIN.	TYP.	MAX.	MIN.	TYP.	MAX.
a1	0.51			0.020		
B	1.39		1.65	0.055		0.065
b		0.5			0.020	
b1		0.25			0.010	
D			20			0.787
E		8.5			0.335	
e		2.54			0.100	
e3		15.24			0.600	
F			7.1			0.280
I			5.1			0.201
L		3.3			0.130	
Z	1.27		2.54	0.050		0.100



## SO14 MECHANICAL DATA

DIM.	mm			inch		
	MIN.	TYP.	MAX.	MIN.	TYP.	MAX.
A			1.75			0.068
a1	0.1		0.2	0.003		0.007
a2			1.65			0.064
b	0.35		0.46	0.013		0.018
b1	0.19		0.25	0.007		0.010
C		0.5			0.019	
c1	45° (typ.)					
D	8.55		8.75	0.336		0.344
E	5.8		6.2	0.228		0.244
e		1.27			0.050	
e3		7.62			0.300	
F	3.8		4.0	0.149		0.157
G	4.6		5.3	0.181		0.208
L	0.5		1.27	0.019		0.050
M			0.68			0.026
S	8° (max.)					



Information furnished is believed to be accurate and reliable. However, SGS-THOMSON Microelectronics assumes no responsibility for the consequences of use of such information nor for any infringement of patents or other rights of third parties which may result from its use. No license is granted by implication or otherwise under any patent or patent rights of SGS-THOMSON Microelectronics. Specifications mentioned in this publication are subject to change without notice. This publication supersedes and replaces all information previously supplied. SGS-THOMSON Microelectronics products are not authorized for use as critical components in life support devices or systems without express written approval of SGS-THOMSON Microelectronics.

© 1994 SGS-THOMSON Microelectronics - All Rights Reserved

SGS-THOMSON Microelectronics GROUP OF COMPANIES  
Australia - Brazil - France - Germany - Hong Kong - Italy - Japan - Korea - Malaysia - Malta - Morocco - The Netherlands -  
Singapore - Spain - Sweden - Switzerland - Taiwan - Thailand - United Kingdom - U.S.A