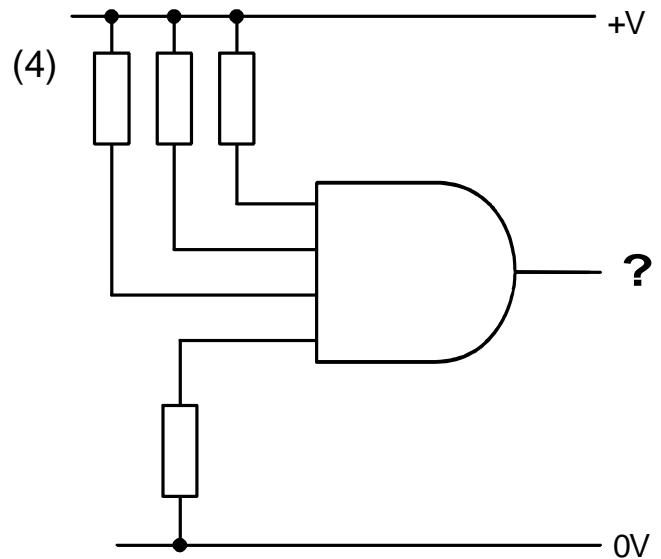
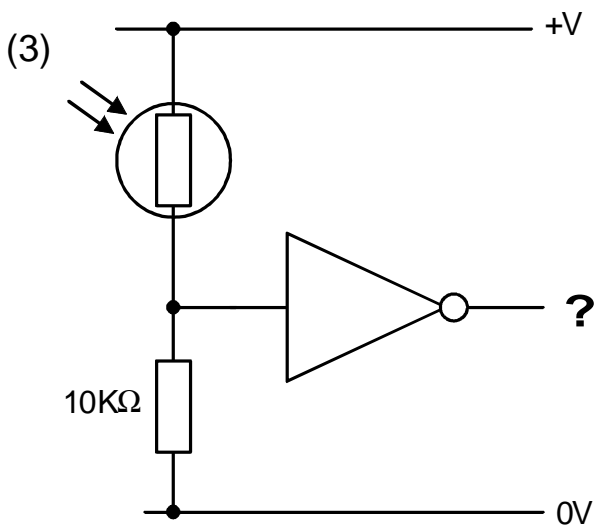
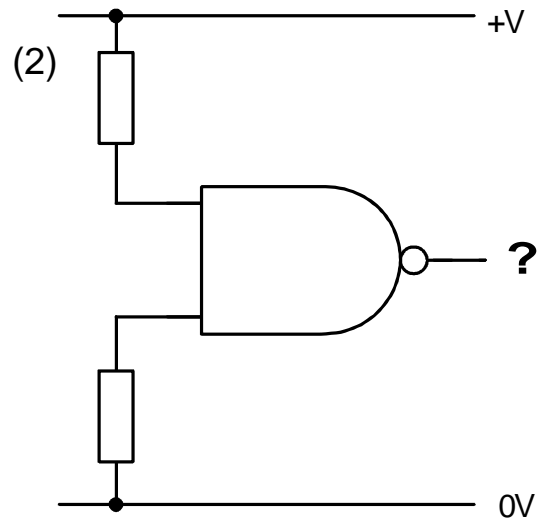
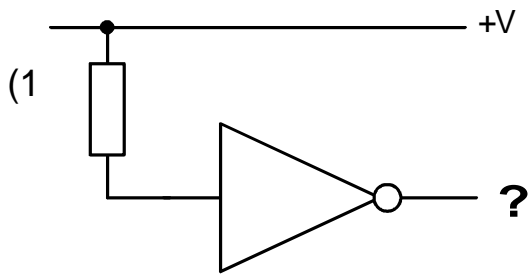


LOGIC GATE CIRCUITS

Determine the outputs of the following example logic circuits using their truth table and rule.



Determine the output when the LDR is in darkness, and then in light.

This is not as hard as it looks. Simply apply the same rule as for a 2-input and gate.