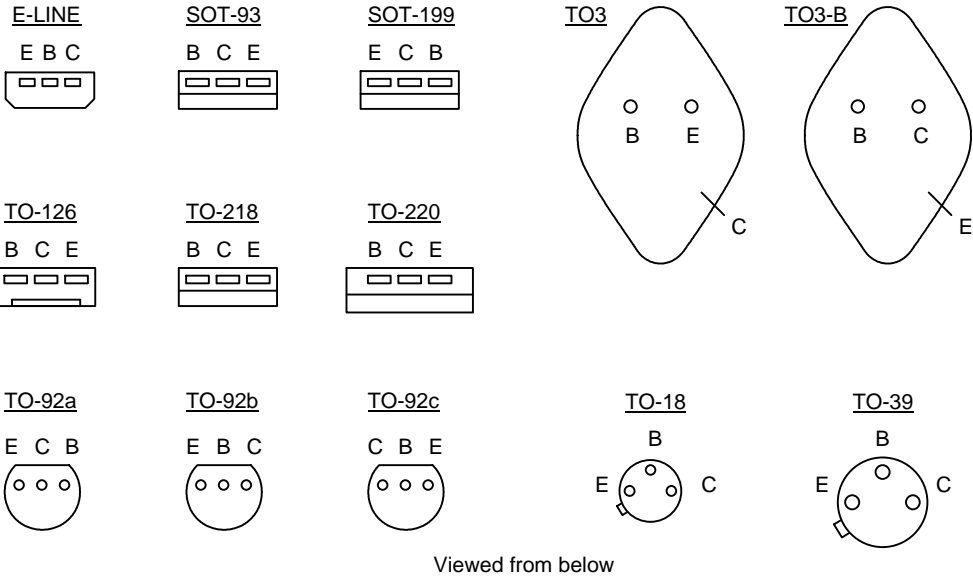


BIPOLAR TRANSISTOR CASE STYLES



FIELD EFFECT TRANSISTOR CASE STYLES

