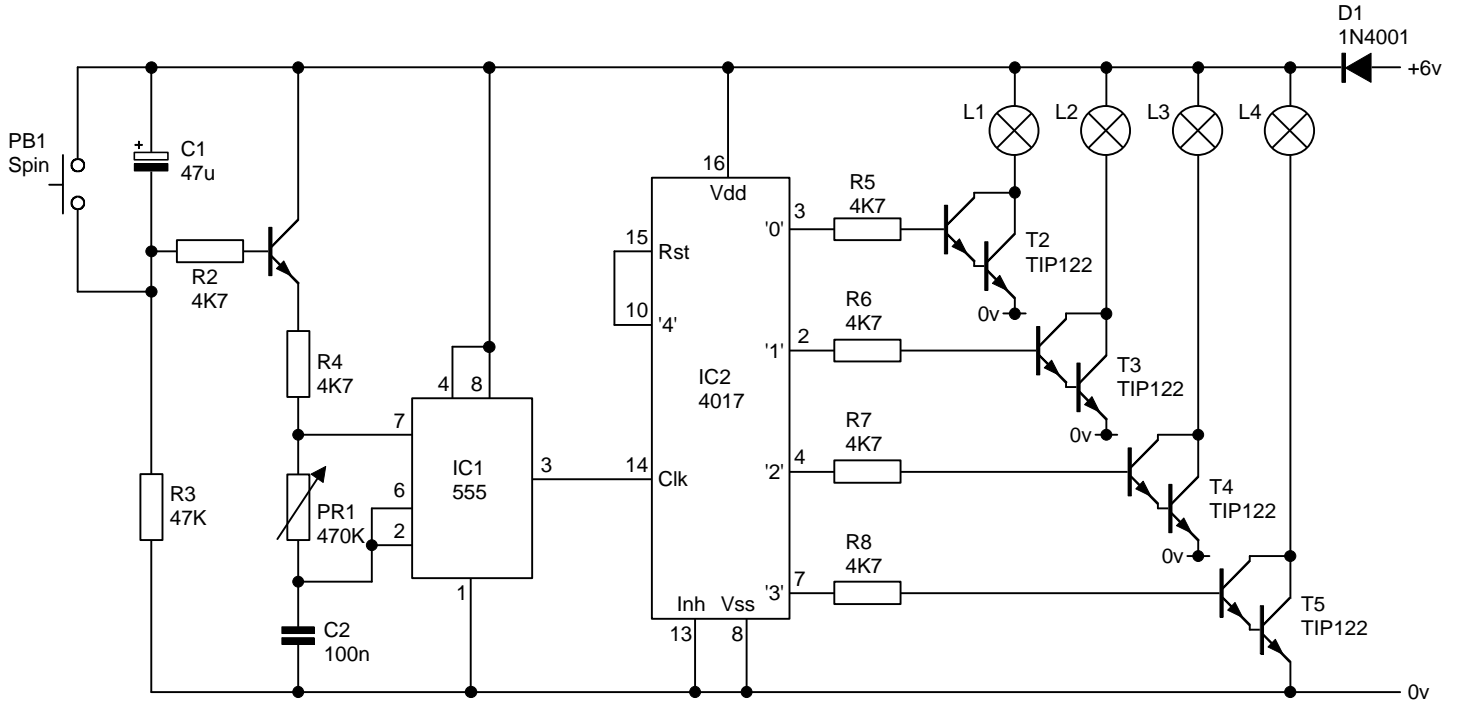


4 WAY SPINNER

This circuit will flash the lights one after the other while PB1 is pressed. When released the lights slow down gradually and then stop.

The drivers for the lamps are TIP122 Darlington transistors and may get a little warm.

Use 3.5v or 4.8v lamps at 300mA



Board size: 77mm x 38mm

