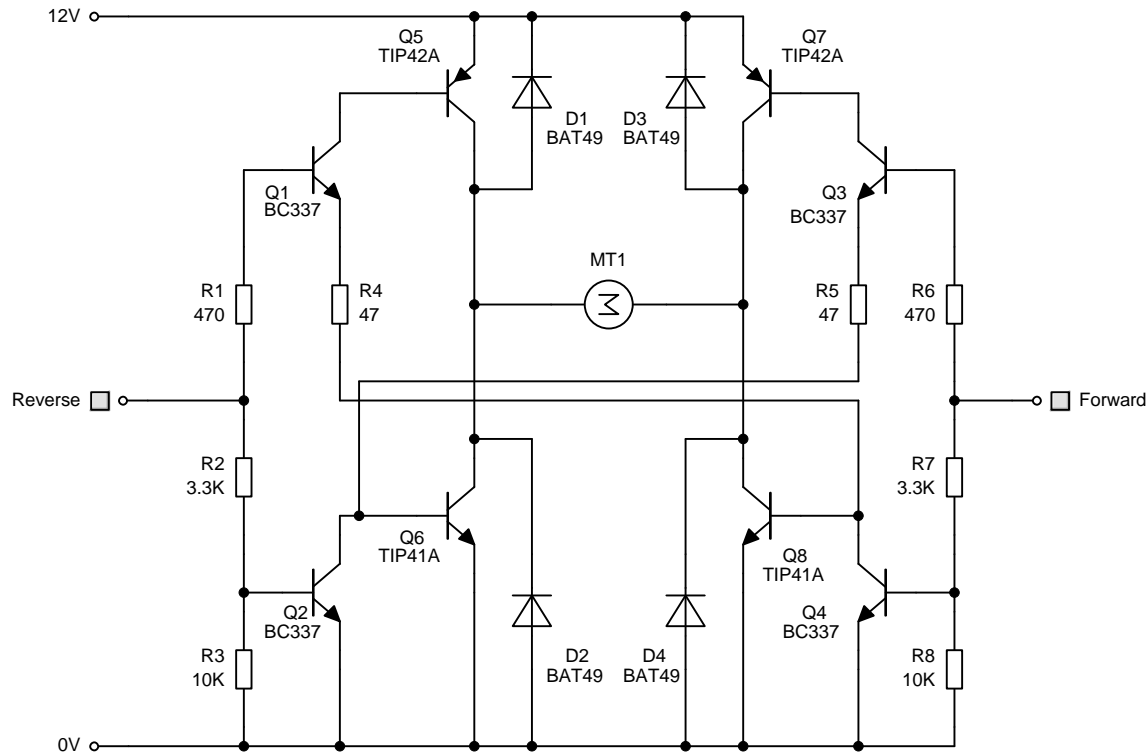


## FULL BRIDGE TRANSISTOR DRIVER CIRCUIT



This full bridge driver uses transistors to drive a motor in both directions. Ideal for use with PWM. It has in built protection to prevent all drive transistors switching on if both "Forward" and "Reverse" are activated at the same time. In this case the Motor will stop.

The maximum drive current will depend on the transistors used for Q5-8. The ones shown should supply up to 3A if mounted on heatsinks. If more current is required, then using Darlington transistors for Q5-8 would be a better solution, such as TIP122 and TIP142 work well.

D1-4 are fast recovery diodes. These are essential to protect the transistors from back E.M/F. spikes produced by the motor. Take care with the polarity.

I don't claim design to this circuit and cannot remember where I found it, but it works well and is a good example of solid state design.