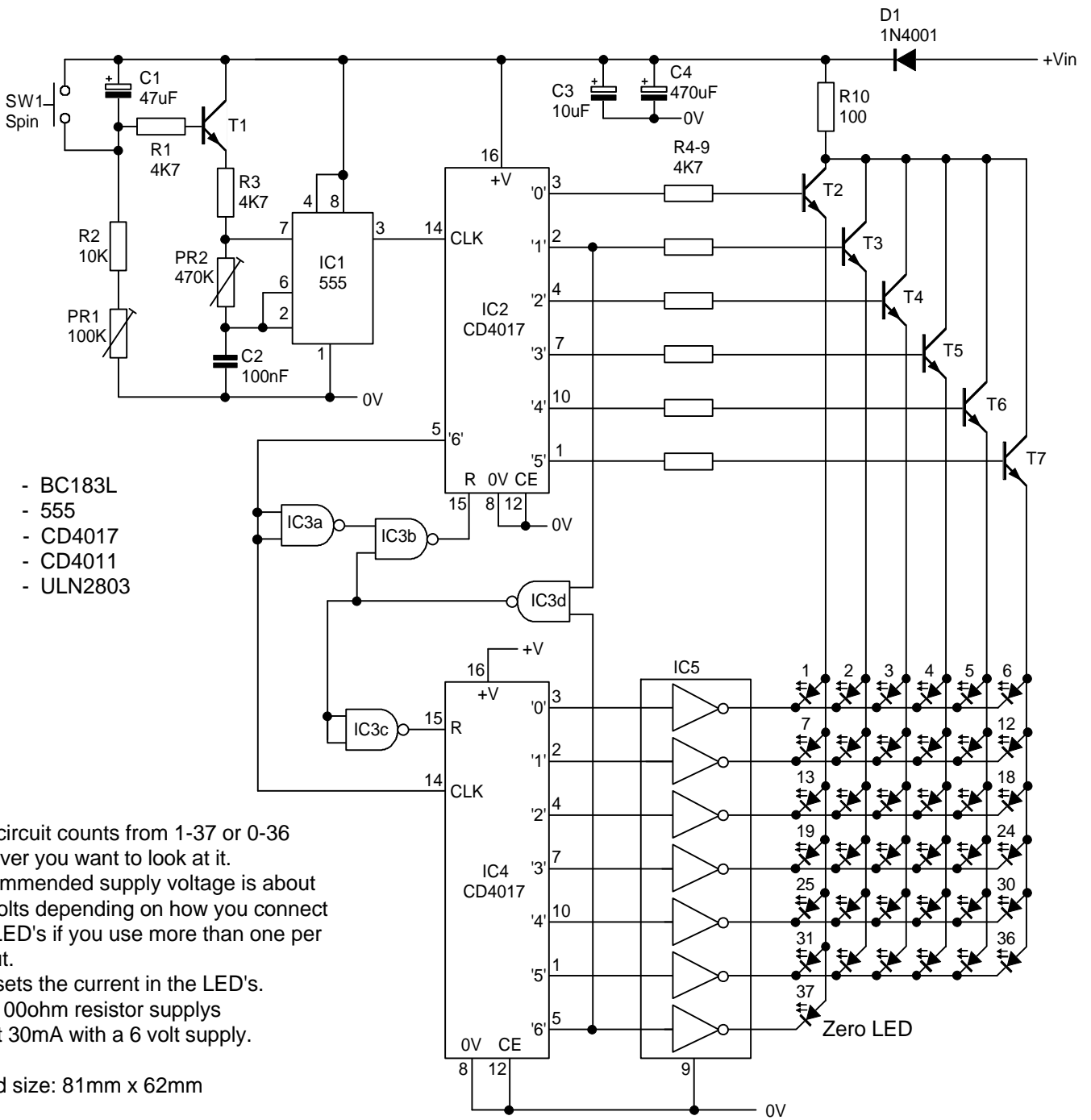


# ROULETTE WHEEL 0-36 - Designed by Phil Townshend



- T1-7 - BC183L
- IC1 - 555
- IC2,4 - CD4017
- IC3 - CD4011
- IC5 - ULN2803

This circuit counts from 1-37 or 0-36 however you want to look at it. Recommended supply voltage is about 6-9 volts depending on how you connect the LED's if you use more than one per output. R10 sets the current in the LED's. The 100ohm resistor supplies about 30mA with a 6 volt supply.

Board size: 81mm x 62mm

