

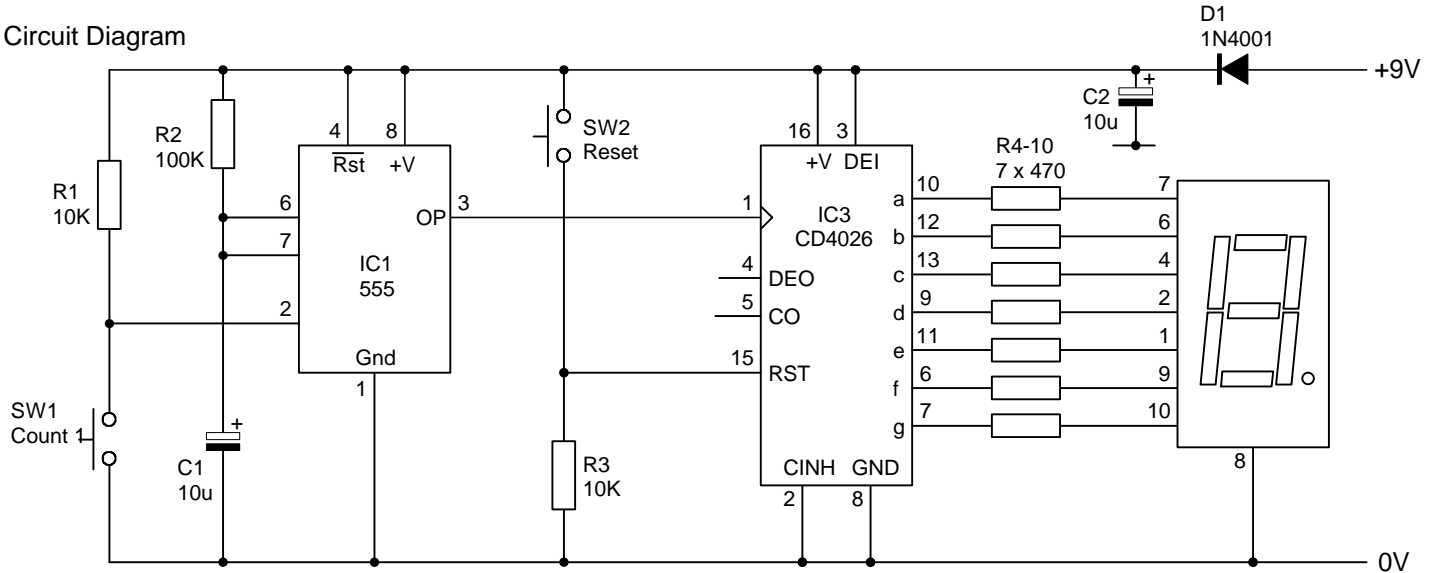
# SINGLE DIGIT SCOREBOARD - Designed by Phil Townshend

A simple single digit scoreboard counting from 1 to 9

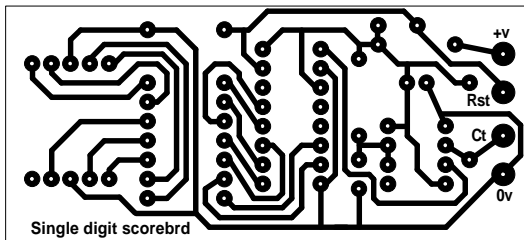
If reset isn't required then simply connect a 1uF capacitor from the Rst connection to +v to make it reset when the circuit is switched on.

Connect the switch to count between Cnt and 0v

## Circuit Diagram



## UNDERSIDE VIEW



Display used should be a 0.56" super red common cathode type like Kingbright SC56 series eg. 11SRWA

Board size: 69mm x 31mm

