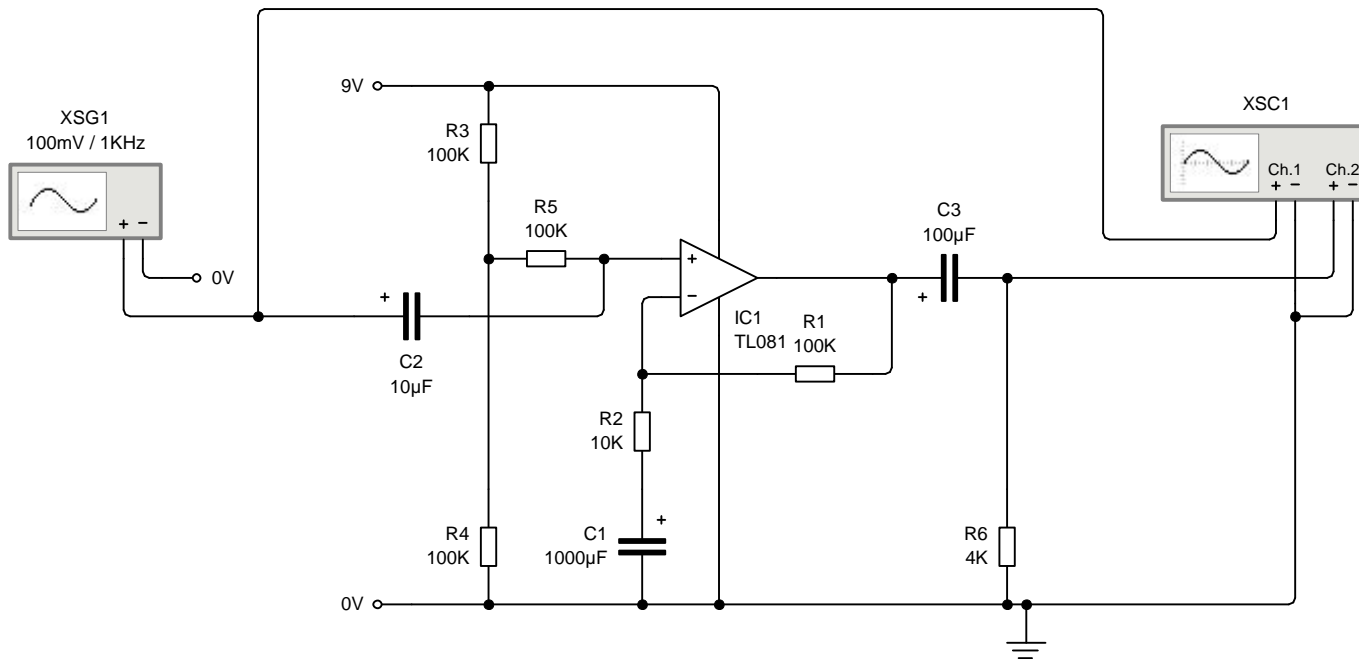


AUDIO AMPLIFIER

This circuit uses an operational amplifier but overcomes the need for a split power supply. It uses a potential divider to generate a simulated zero rail. The rest is a standard non-inverting amplifier circuit with decoupling capacitors on the inputs and outputs.

$$\text{Gain} = R_f / R_{in} = 10$$



Graph of XSC1

