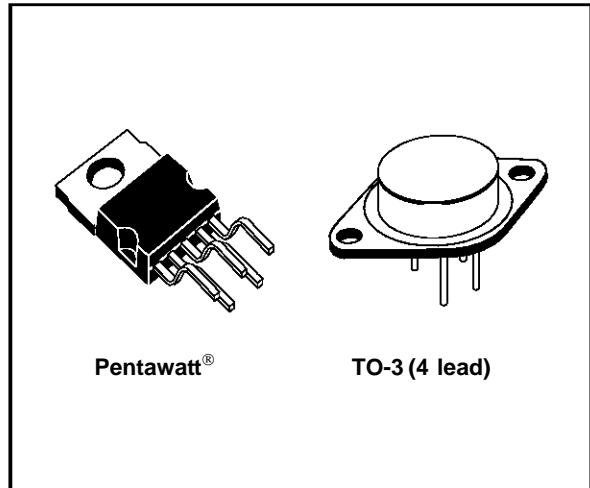


ADJUSTABLE VOLTAGE AND CURRENT REGULATOR

- ADJUSTABLE OUTPUT CURRENT UP TO 2 A (GUARANTEED UP TO $T_j = 150^\circ\text{C}$)
- ADJUSTABLE OUTPUT VOLTAGE DOWN TO 2.85 V
- INPUT OVERVOLTAGE PROTECTION (UP TO 60 V, 10 ms)
- SHORT CIRCUIT PROTECTION
- OUTPUT TRANSISTOR S.O.A. PROTECTION
- THERMAL OVERLOAD PROTECTION
- LOW BIAS CURRENT ON REGULATION PIN
- LOW STANDBY CURRENT DRAIN



DESCRIPTION

The L200 is a monolithic integrated circuit for voltage and current programmable regulation. It is available in Pentawatt® package or 4-lead TO-3 metal case. Current limiting, power limiting, thermal shutdown and input overvoltage protection (up to

60 V) make the L200 virtually blow-out proof. The L200 can be used to replace fixed voltage regulators when high output voltage precision is required and eliminates the need to stock a range of fixed voltage regulators.

ABSOLUTE MAXIMUM RATINGS

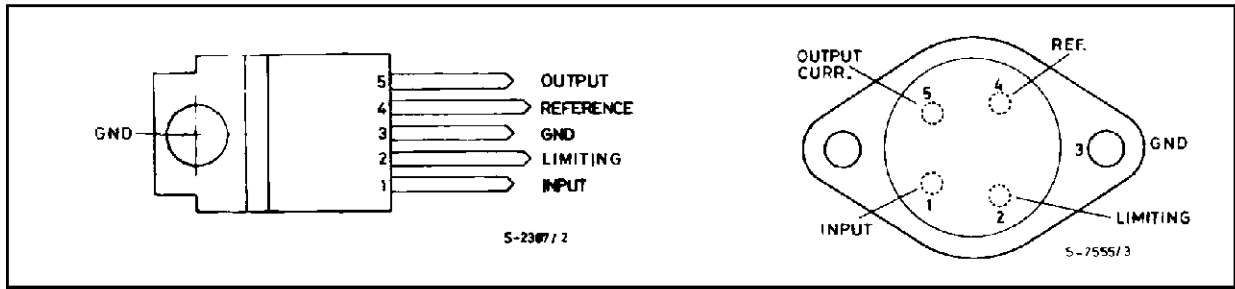
| Symbol | Parameter | Value | Unit |
|------------------|--|--------------------|------------------|
| V_i | DC Input Voltage | 40 | V |
| V_i | Peak Input Voltage (10 ms) | 60 | V |
| ΔV_{i-o} | Dropout Voltage | 32 | V |
| I_o | Output Current | internally limited | |
| P_{tot} | Power Dissipation | internally limited | |
| T_{stg} | Storage Temperature | -55 to 150 | $^\circ\text{C}$ |
| T_{op} | Operating Junction Temperature for L200C for L200 | -25 to 150 | $^\circ\text{C}$ |
| | | -55 to 150 | $^\circ\text{C}$ |

THERMAL DATA

| | | | TO-3 | Pentawatt® |
|------------------|-------------------------------------|-----|------------------------------|------------------------------|
| $R_{th\ j-case}$ | Thermal Resistance Junction-case | Max | 4 $^\circ\text{C}/\text{W}$ | 3 $^\circ\text{C}/\text{W}$ |
| $R_{th\ j-amb}$ | Thermal Resistance Junction-ambient | Max | 35 $^\circ\text{C}/\text{W}$ | 50 $^\circ\text{C}/\text{W}$ |

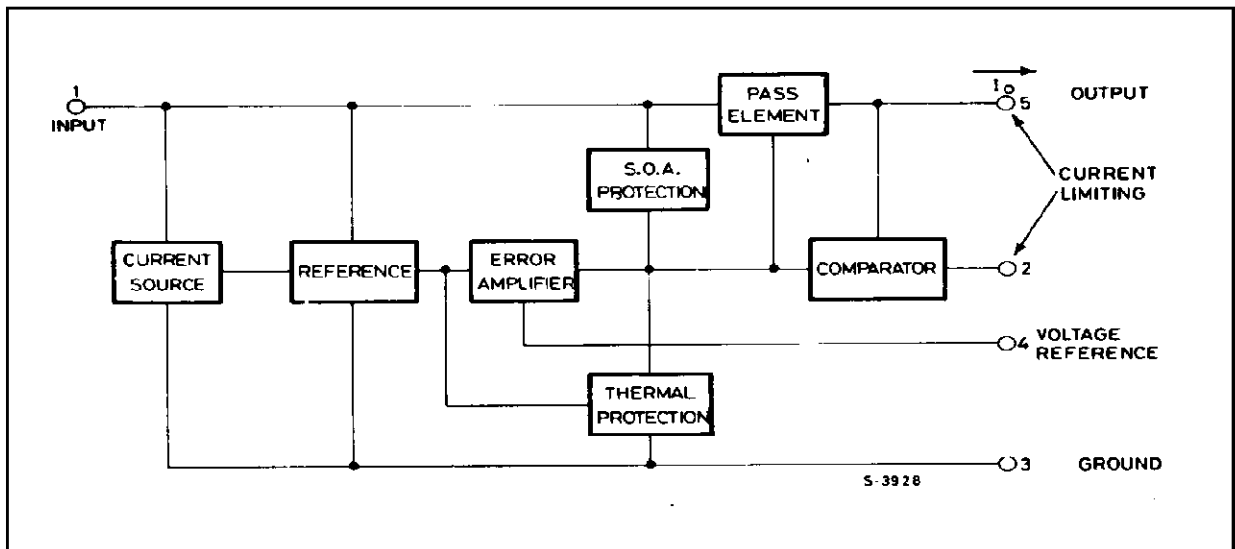
L200

CONNECTION DIAGRAMS AND ORDER CODES (top views)



| Type | Pentawatt® | TO-3 |
|--------|--------------------|---------|
| L200 | | L200 T |
| L200 C | L200 CH L200 CV | L200 CT |

BLOCK DIAGRAM



APPLICATION CIRCUITS

Figure 1. Programmable Voltage Regulator with Current Limiting

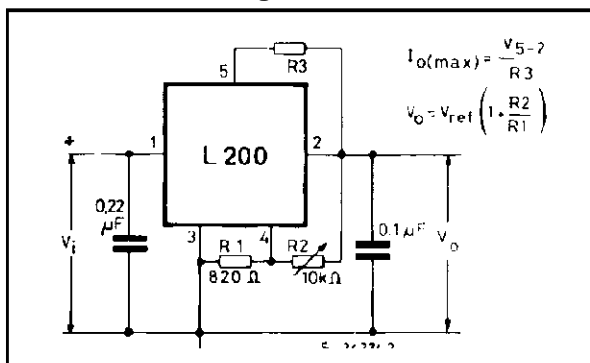
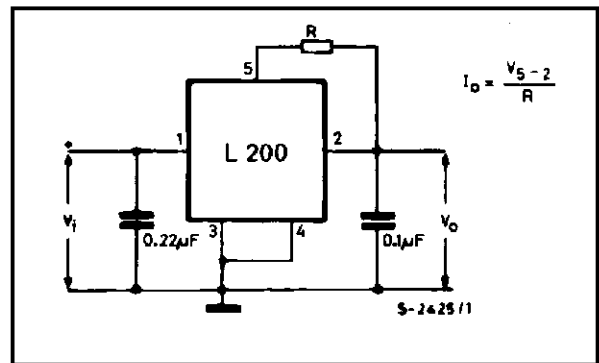
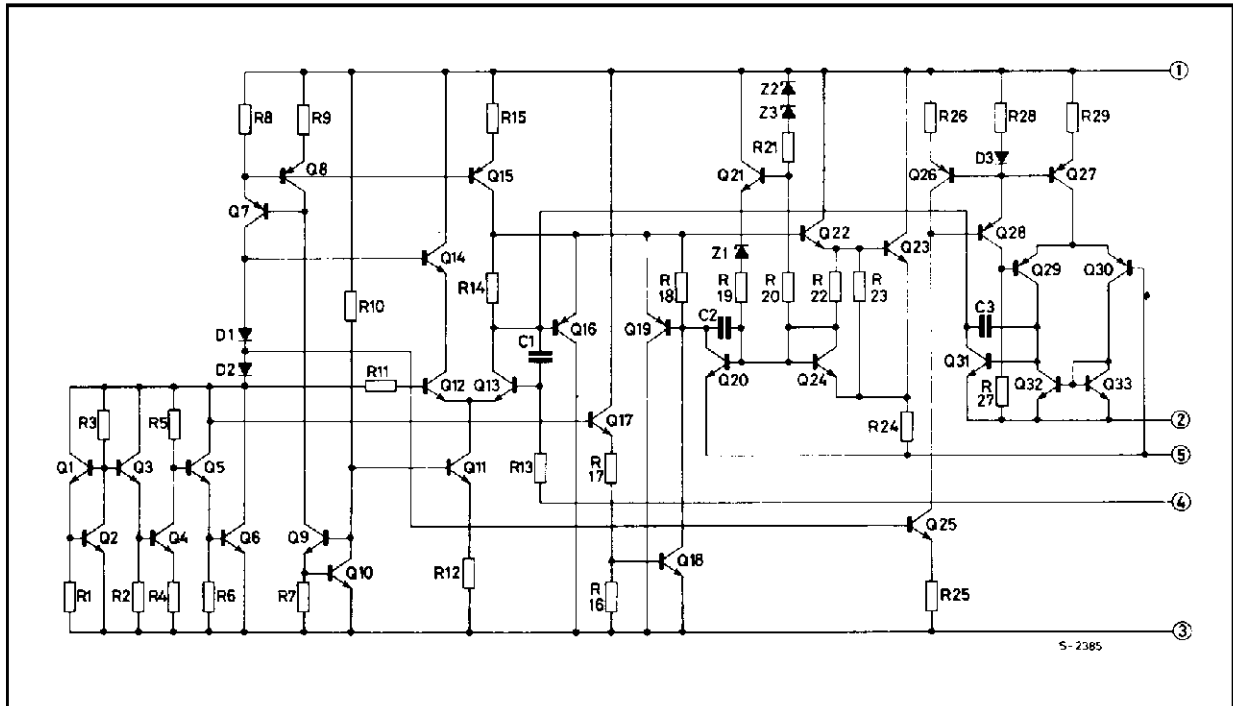


Figure 2. Programmable Current Regulator.



SCHEMATIC DIAGRAM



ELECTRICAL CHARACTERISTICS ($T_{amb} = 25\text{ }^{\circ}\text{C}$, unless otherwise specified)

| Symbol | Parameter | Test Conditions | Min. | Typ. | Max. | Unit |
|--------|-----------|-----------------|------|------|------|------|
|--------|-----------|-----------------|------|------|------|------|

VOLTAGE REGULATION LOOP

| | | | | | | |
|---------------------------------|-------------------------------------|--|------|-------------|----------|---------------|
| I_d | Quiescent drain Current (pin 3) | $V_i = 20\text{ V}$ | | 4.2 | 9.2 | mA |
| e_N | Output Noise Voltage | $V_o = V_{ref}$ $B = 1\text{ MHz}$ $I_o = 10\text{ mA}$ | | 80 | | μV |
| V_o | Output Voltage Range | $I_o = 10\text{ mA}$ | 2.85 | | 36 | V |
| $\frac{\Delta V_o}{V_o}$ | Voltage Load Regulation (note 1) | $\Delta I_o = 2\text{ A}$ $\Delta I_o = 1.5\text{ A}$ | | 0.15 0.1 | 1 0.9 | % % |
| $\frac{\Delta V_i}{\Delta V_o}$ | Line Regulation | $V_o = 5\text{ V}$ $V_i = 8\text{ to }18\text{ V}$ | 48 | 60 | | dB |
| SVR | Supply Voltage Rejection | $V_o = 5\text{ V}$ $\Delta V_i = 10\text{ V}_{pp}$ $f = 100\text{ Hz}$ (note 2) $I_o = 500\text{ mA}$ | 48 | 60 | | dB |
| ΔV_{i-o} | Droput Voltage between Pins 1 and 5 | $I_o = 1.5\text{ A}$ $\Delta V_o \leq 2\%$ | | 2 | 2.5 | V |
| V_{ref} | Reference Voltage (pin 4) | $V_i = 20\text{ V}$ $I_o = 10\text{ mA}$ | 2.64 | 2.77 | 2.86 | V |

ELECTRICAL CHARACTERISTICS (continued)

| Symbol | Parameter | Test Conditions | Min. | Typ. | Max. | Unit |
|---|--|---|------|---------------|------|--|
| ΔV_{ref} | Average Temperature Coefficient of Reference Voltage | $V_i = 20\text{ V}$ $I_o = 10\text{ mA}$ for $T_j = -25$ to $125\text{ }^\circ\text{C}$ for $T_j = 125$ to $150\text{ }^\circ\text{C}$ | | -0.25 -1.5 | | mV/ $^\circ\text{C}$ mV/ $^\circ\text{C}$ |
| I_4 | Bias Current and Pin 4 | | | 3 | 10 | μA |
| $\frac{\Delta I_4}{\Delta T \cdot I_4}$ | Average Temperature Coefficient (pin 4) | | | -0.5 | | %/ $^\circ\text{C}$ |
| Z_o | Output Impedance | $V_i = 10\text{ V}$ $I_o = 0.5\text{ A}$ $V_o = V_{ref}$ $f = 100\text{ Hz}$ | | 1.5 | | m Ω |

CURRENT REGULATION LOOP

| | | | | | | |
|---|--|--|------|-----------------|------|---------------------|
| V_{sc} | Current Limit Sense Voltage between Pins 5 and 2 | $V_i = 10\text{ V}$ $I_5 = 100\text{ mA}$ $V_o = V_{ref}$ | 0.38 | 0.45 | 0.52 | V |
| $\frac{\Delta V_{sc}}{\Delta T \cdot V_{sc}}$ | Average Temperature Coefficient of V_{sc} | | | 0.03 | | %/ $^\circ\text{C}$ |
| $\frac{\Delta I_o}{I_o}$ | Current Load Regulation | $V_i = 10\text{ V}$ $I_o = 0.5\text{ A}$ $I_o = 1\text{ A}$ $I_o = 1.5\text{ A}$ $\Delta V_o = 3\text{ V}$ | | 1.4 1 0.9 | | % % % |
| I_{sc} | Peak Short Circuit Current | $V_i - V_o = 14\text{ V}$ (pins 2 and 5 short circuited) | | | 3.6 | A |

Note 1: A load step of 2 A can be applied provided that input-output differential voltage is lower than 20 V (see Figure 3).

Note 2: The same performance can be maintained at higher output levels if a bypassing capacitor is provided between pins 2 and 4.

Figure 3. Typical Safe Operating Area Protection.

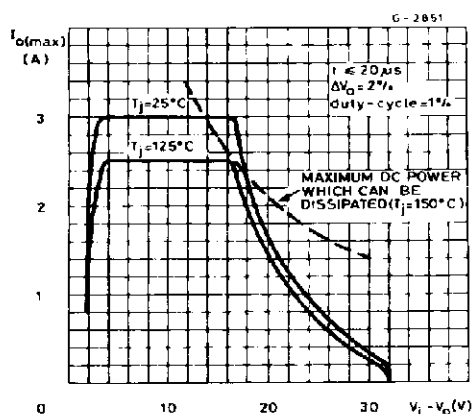


Figure 4. Quiescent Current vs. Supply Voltage.

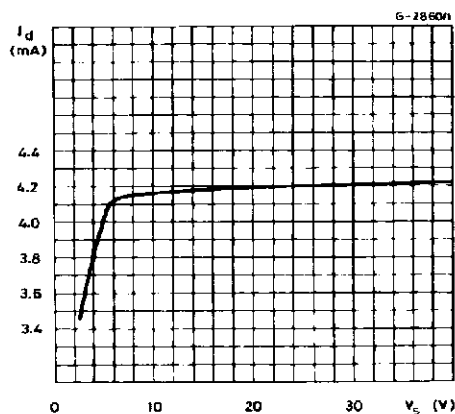


Figure 5. Quiescent Current vs. Junction Voltage.

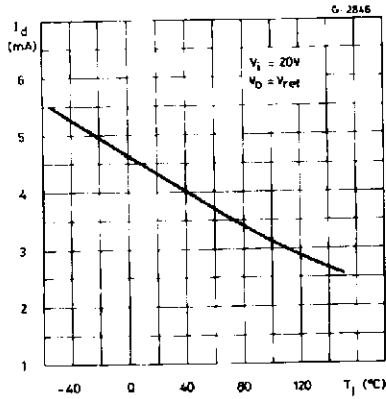


Figure 6. Quiescent Current vs. Output Current.

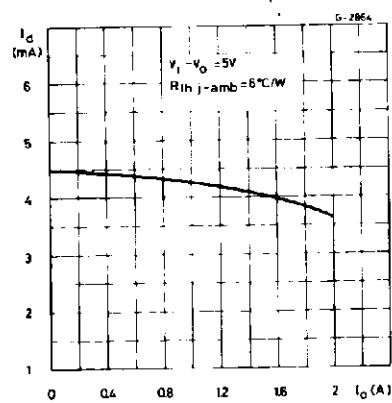


Figure 7. Output Noise Voltage vs. Output Voltage.

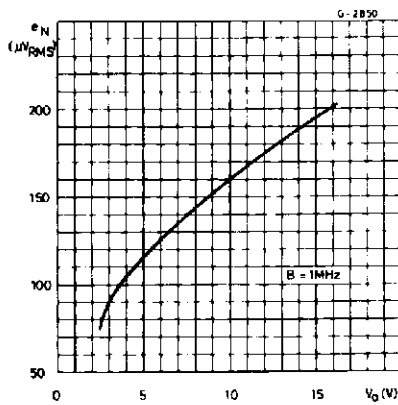


Figure 8. Output Noise Voltage vs. Frequency.

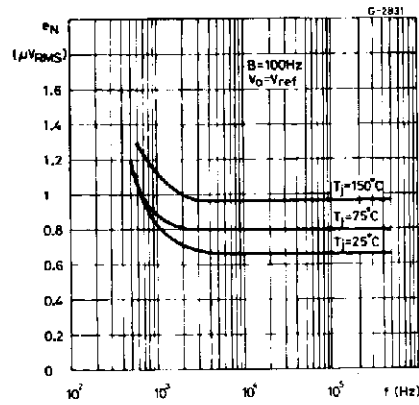


Figure 9. Reference Voltage vs. Junction Temperature.

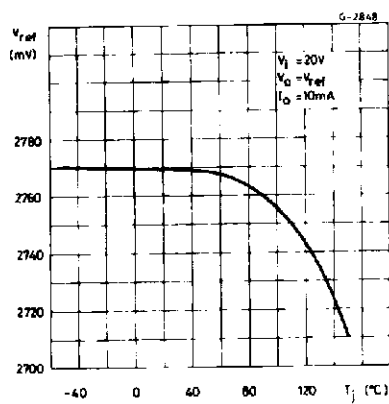


Figure 10. Voltage Load Regulation vs. Junction Temperature.

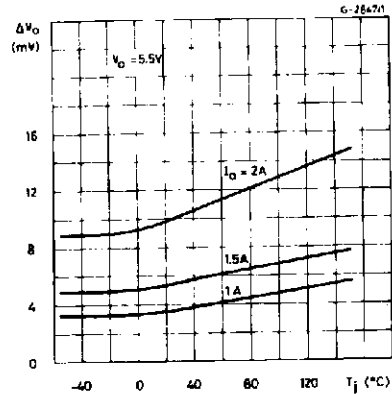


Figure 11. Supply Voltage Rejection vs. Frequency.

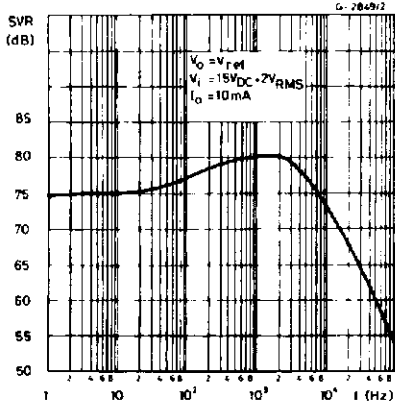


Figure 12. Dropout Voltage vs. Junction Temperature.

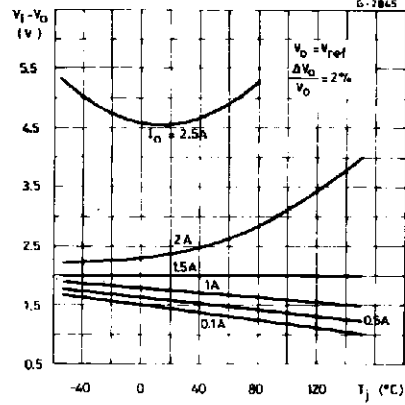


Figure 13. Output Impedance vs. Frequency.

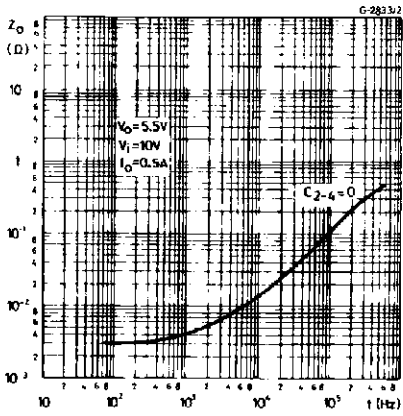


Figure 14. Output Impedance vs. Output Current.

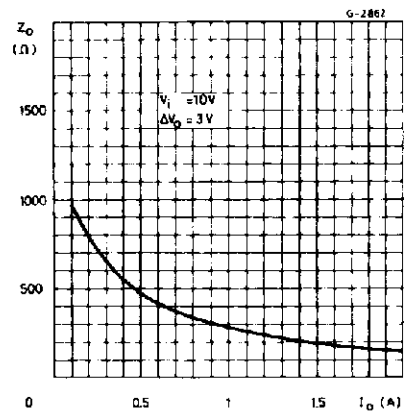


Figure 15. Voltage Transient Reponse.

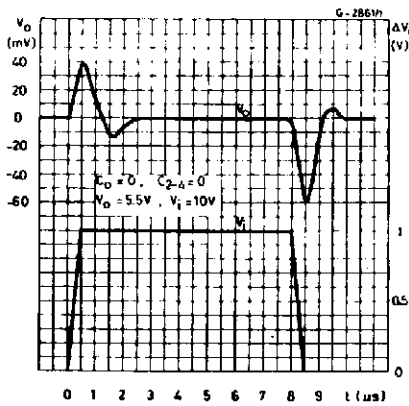


Figure 16. Load Transient Reponse.

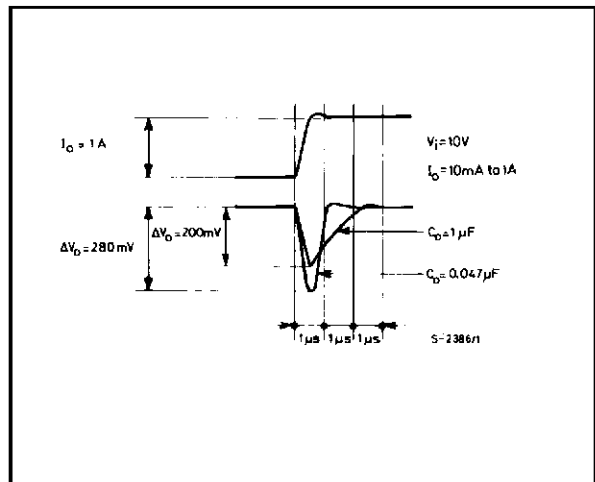


Figure 17. Load Transient Reponse

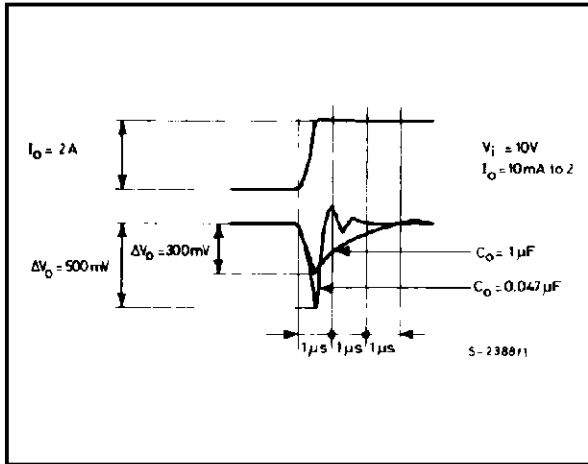
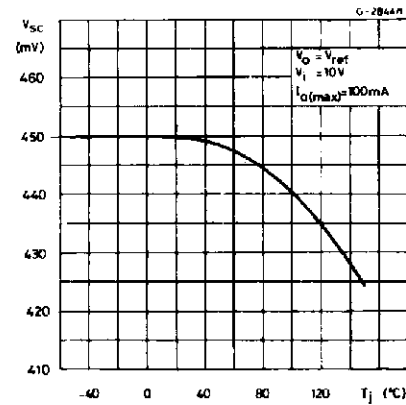


Figure 18. Current Limit Sense Voltage vs. Junction Temperature.



APPLICATIONS CIRCUITS

Figure 19. - Programmable Voltage Regulator

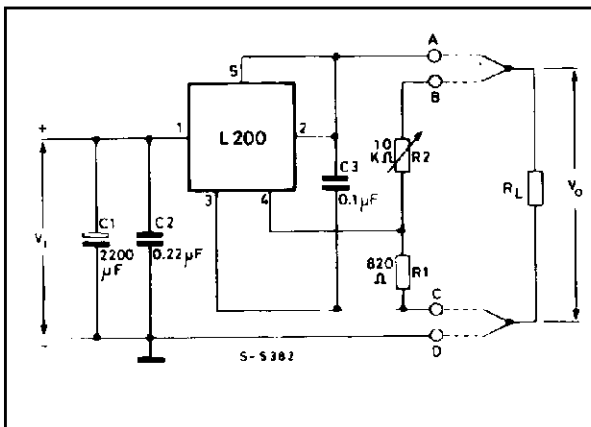


Figure 20. - P.C.Board and Components Layout of Figure 19.

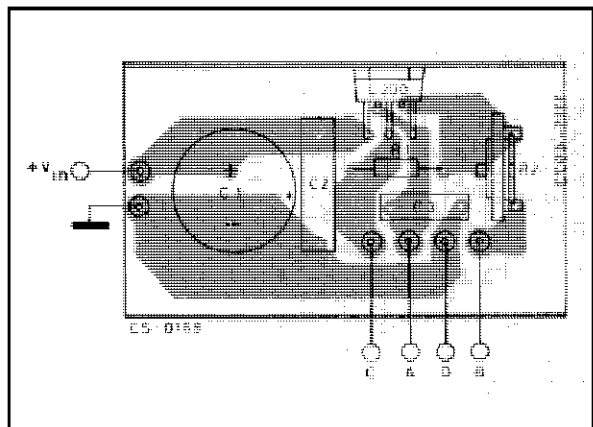


Figure 21. - High Current Voltage Regulator with Short Circuit Protection.

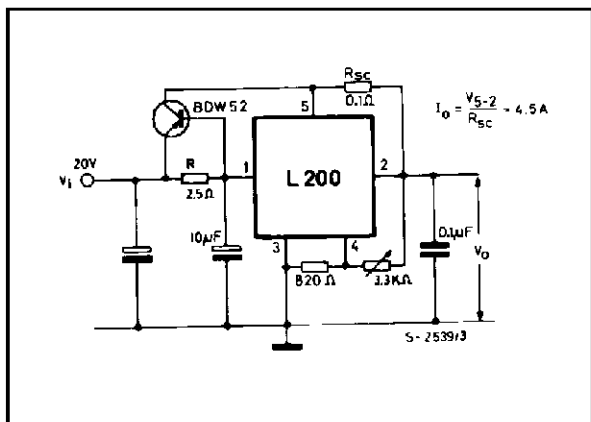


Figure 22. - Digitally Selected Regulator with Inhibit.

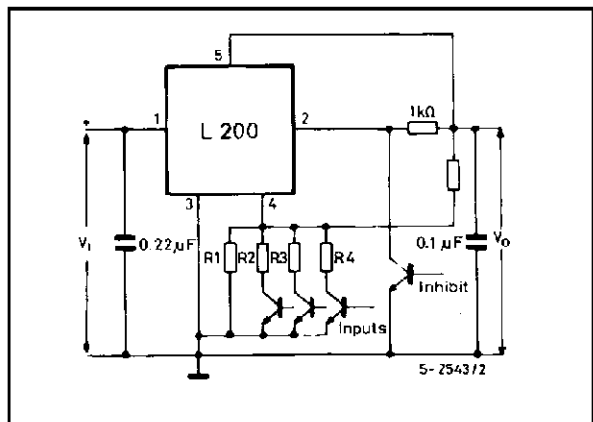
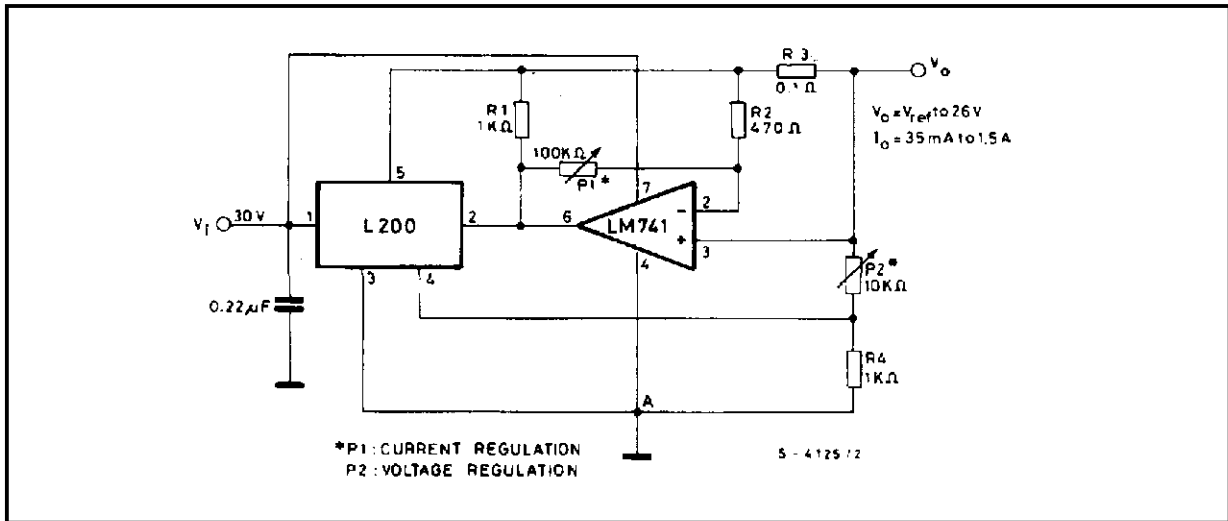


Figure 23. Programmable Voltage and Current Regulator.



Note: Connecting point A to a negative voltage (for example -3V/10 mA) it is possible to extend the output voltage range down to 0 V and obtain the current limiting down to this level (output short-circuit condition).

Figure 24. High Current Regulator with NPN Pass Transistor.

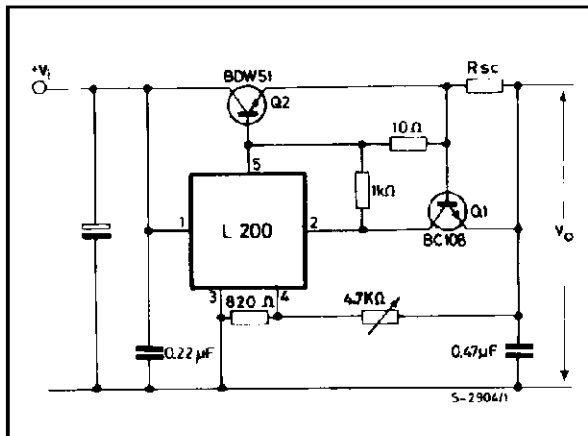


Figure 25. High Current Tracking Regulator.

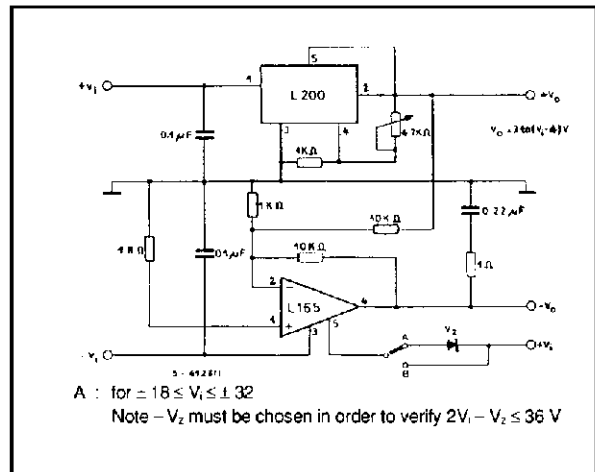


Figure 26. High Input and Output Voltage.

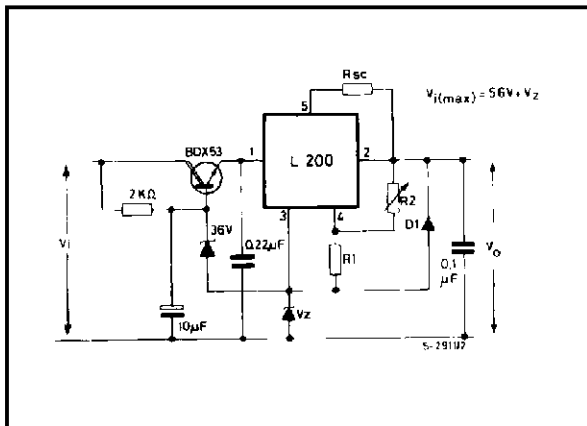
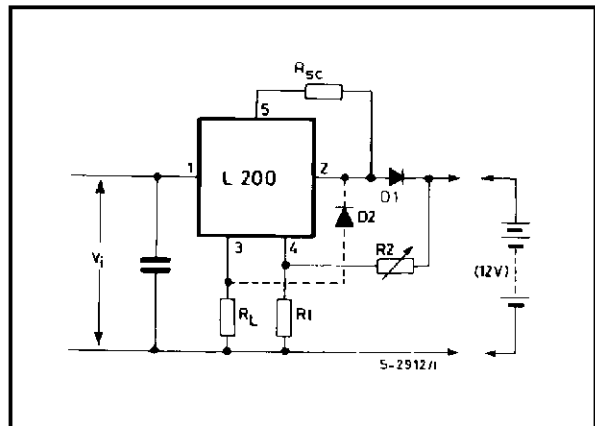


Figure 27. Constant Current Battery Charger.



The resistors R_1 and R_2 determine the final charging voltage and R_{SC} the initial charging current. D_1 prevents discharge of the battery through the regulator.

The resistor R_L limits the reverse currents through the regulator (which should be 100 mA max) when the battery is accidentally reverse connected. If R_L is in series with a bulb of 12 V/50 mA rating this will indicate incorrect connection.

Figure 28. 30 W Motor Speed Control.

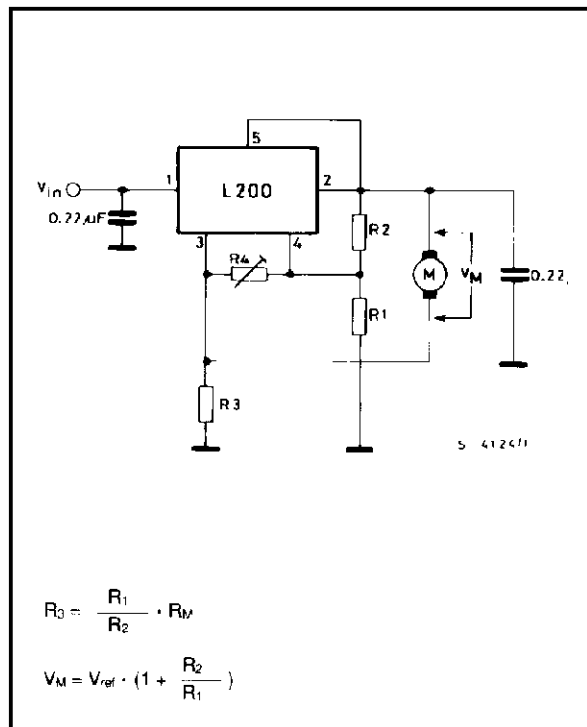


Figure 29. Low Turn on.

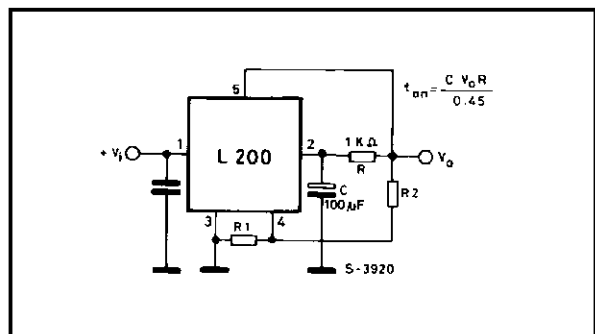
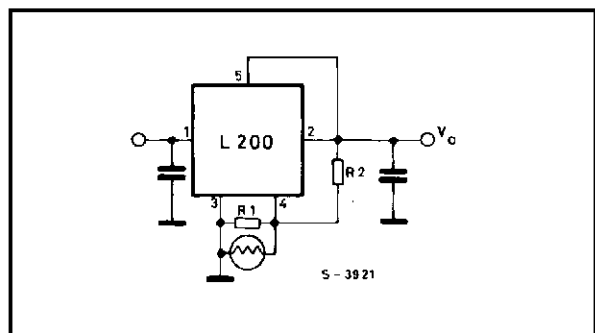
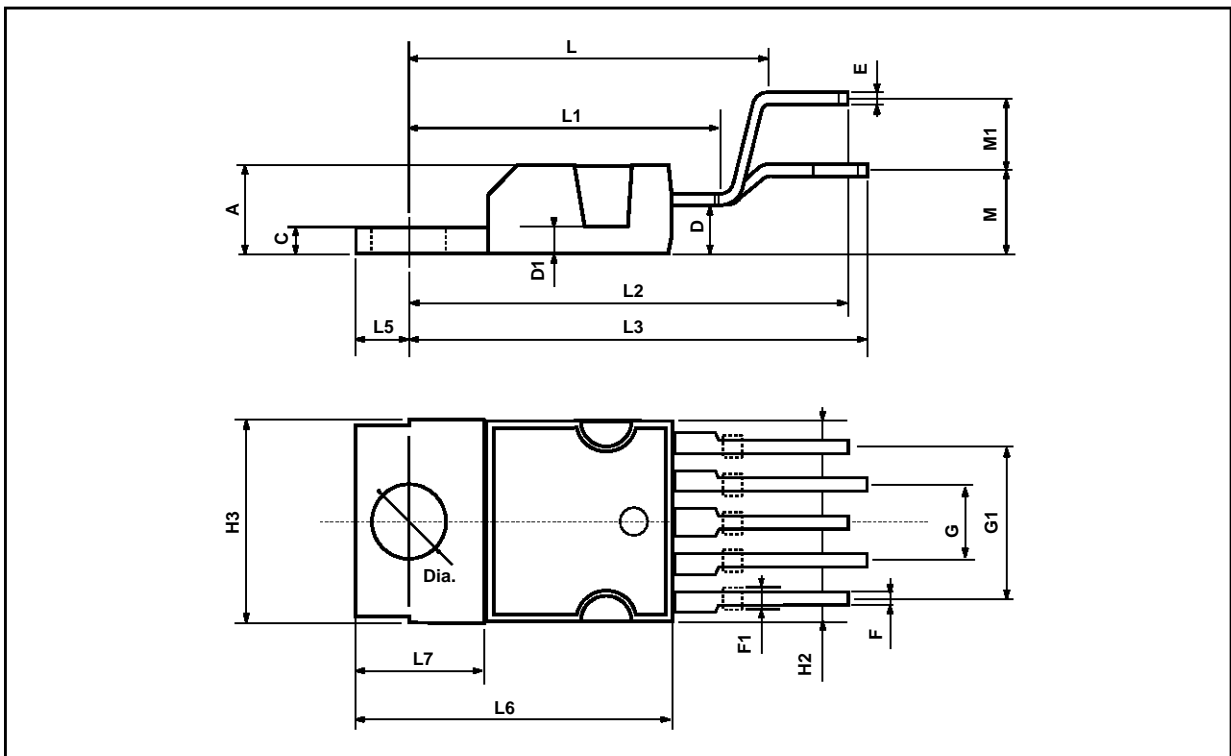


Figure 30. Light Controller.



PENTAWATT PACKAGE MECHANICAL DATA

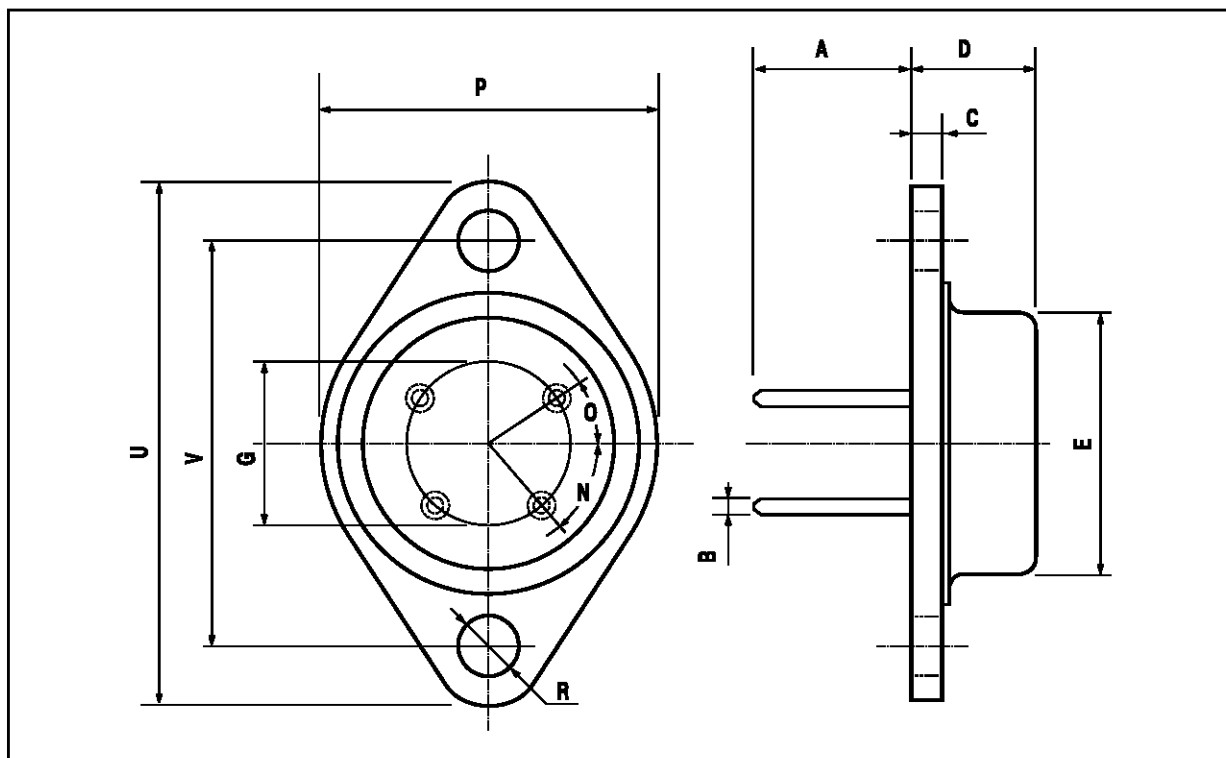
| DIM. | mm | | | inch | | |
|------|-------|-------|------|-------|-------|-------|
| | MIN. | TYP. | MAX. | MIN. | TYP. | MAX. |
| A | | | 4.8 | | | 0.189 |
| C | | | 1.37 | | | 0.054 |
| D | 2.4 | | 2.8 | 0.094 | | 0.110 |
| D1 | 1.2 | | 1.35 | 0.047 | | 0.053 |
| E | 0.35 | | 0.55 | 0.014 | | 0.022 |
| F | 0.8 | | 1.05 | 0.031 | | 0.041 |
| F1 | 1 | | 1.4 | 0.039 | | 0.055 |
| G | | 3.4 | | 0.126 | 0.134 | 0.142 |
| G1 | | 6.8 | | 0.260 | 0.268 | 0.276 |
| H2 | | | 10.4 | | | 0.409 |
| H3 | 10.05 | | 10.4 | 0.396 | | 0.409 |
| L | | 17.85 | | | 0.703 | |
| L1 | | 15.75 | | | 0.620 | |
| L2 | | 21.4 | | | 0.843 | |
| L3 | | 22.5 | | | 0.886 | |
| L5 | 2.6 | | 3 | 0.102 | | 0.118 |
| L6 | 15.1 | | 15.8 | 0.594 | | 0.622 |
| L7 | 6 | | 6.6 | 0.236 | | 0.260 |
| M | | 4.5 | | | 0.177 | |
| M1 | | 4 | | | 0.157 | |
| Dia | 3.65 | | 3.85 | 0.144 | | 0.152 |



TO3 (4 LEAD) PACKAGE MECHANICAL DATA

| DIM. | mm | | | inch | | |
|-------|------------|------|------|------|------|-------|
| | MIN. | TYP. | MAX. | MIN. | TYP. | MAX. |
| A | | 11.8 | | | 0.46 | |
| B (*) | | 1 | | | 0.39 | |
| C | | | 2.5 | | | 0.098 |
| D | | | 9.6 | | | 0.37 |
| E | | | 20 | | | 0.78 |
| G | | 12.7 | | | 0.50 | |
| N | 50° (typ.) | | | | | |
| O | 30° (typ.) | | | | | |
| P | | | 26.2 | | | 1.03 |
| R | 3.88 | | 4.20 | 0.15 | | 0.16 |
| U | | | 39.5 | | | 1.55 |
| V | | 30.1 | | | 1.18 | |

(*) Measured with Gauge



Information furnished is believed to be accurate and reliable. However, SGS-THOMSON Microelectronics assumes no responsibility for the consequences of use of such information nor for any infringement of patents or other rights of third parties which may result from its use. No license is granted by implication or otherwise under any patent or patent rights of SGS-THOMSON Microelectronics. Specification mentioned in this publication are subject to change without notice. This publication supersedes and replaces all information previously supplied. SGS-THOMSON Microelectronics products are not authorized for use as critical components in life support devices or systems without express written approval of SGS-THOMSON Microelectronics.

© 1996 SGS-THOMSON Microelectronics – Printed in Italy – All Rights Reserved

SGS-THOMSON Microelectronics GROUP OF COMPANIES

Australia - Brazil - Canada - China - France - Germany - Hong Kong - Italy - Japan - Korea - Malaysia - Malta - Morocco - The Netherlands - Singapore - Spain - Sweden - Switzerland - Taiwan - Thailand - United Kingdom - U.S.A.