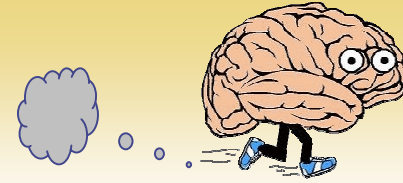
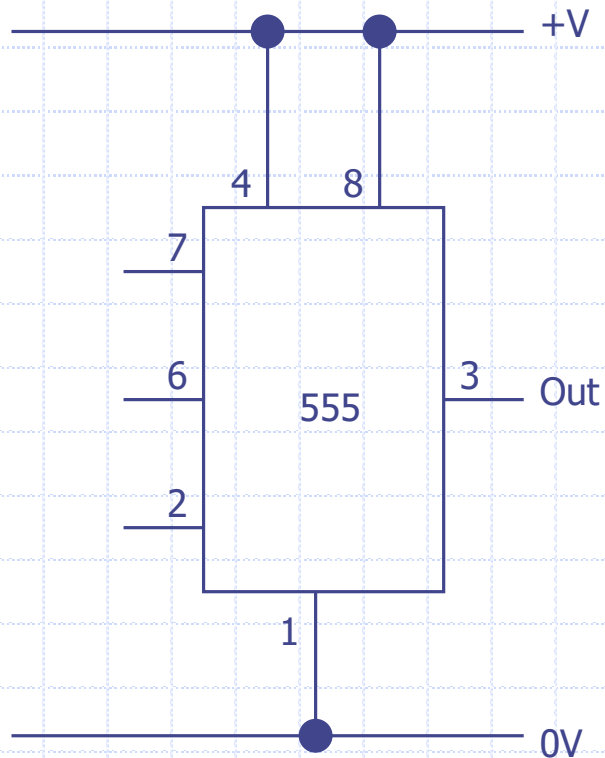


# QUIK THINKAZ



The following circuit is part of a 555 timer diagram.

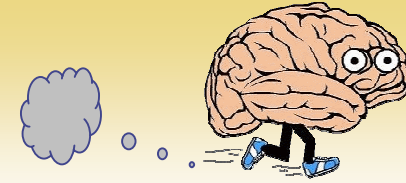
The power supplies have been connected already.



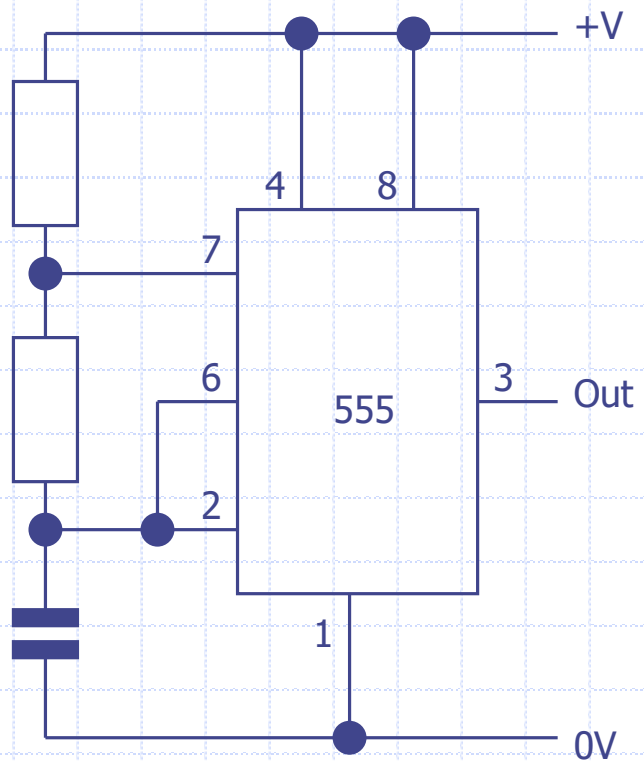
Add 2 resistors and a capacitor to make:

- 1) An Astable
- 2) A Monostable

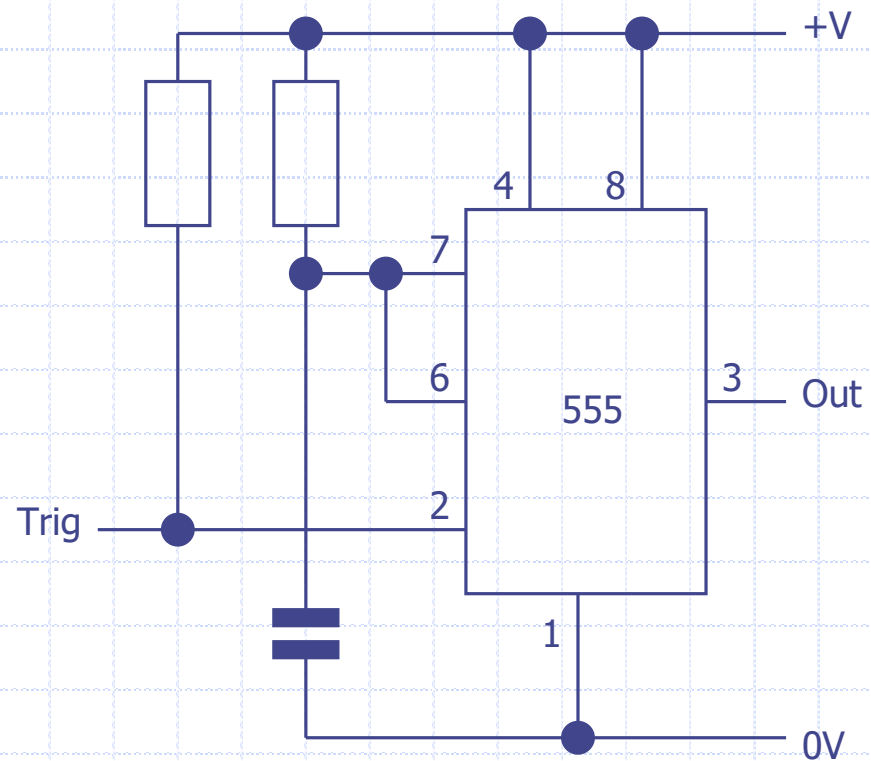
# QUIK THINKAZ



## ANSWERS



ASTABLE



MONOSTABLE