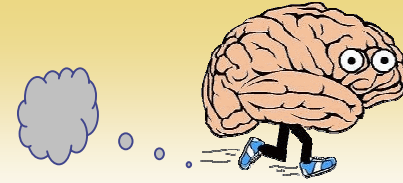
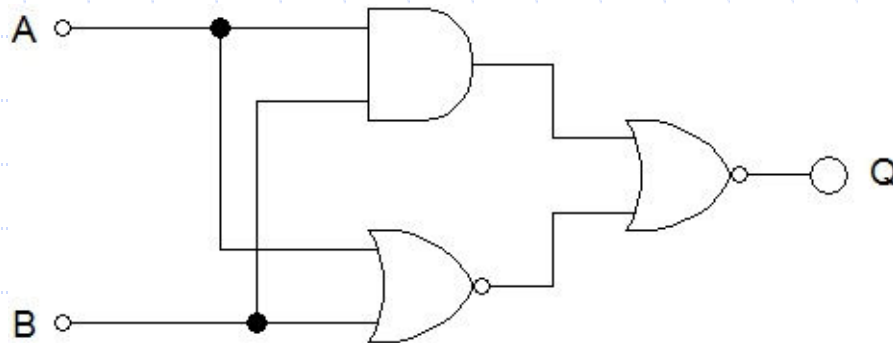


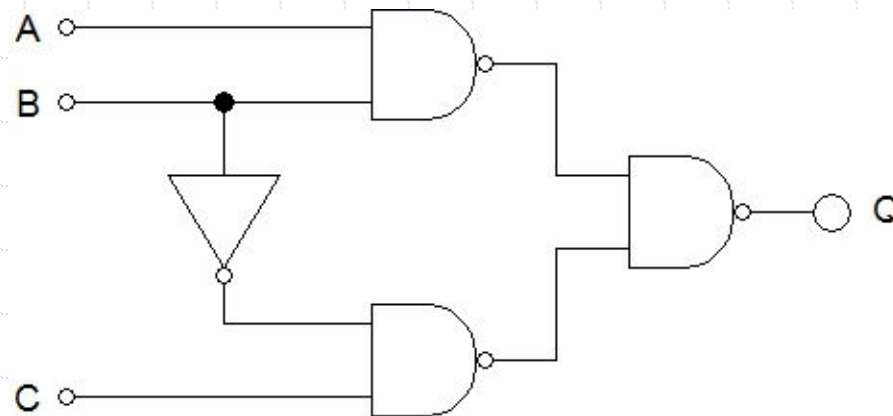
# QUIK THINKAZ



FILL IN THE LOGIC TABLE FOR THE FOLLOWING LOGIC CIRCUITS.

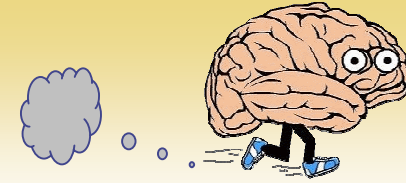


A	B	Q
0	0	
0	1	
1	0	
1	1	

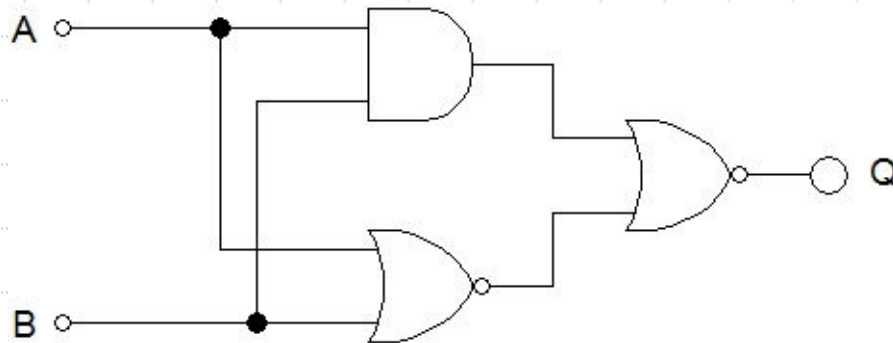


A	B	C	Q
0	0	0	
0	0	1	
0	1	0	
0	1	1	
1	0	0	
1	0	1	
1	1	0	
1	1	1	

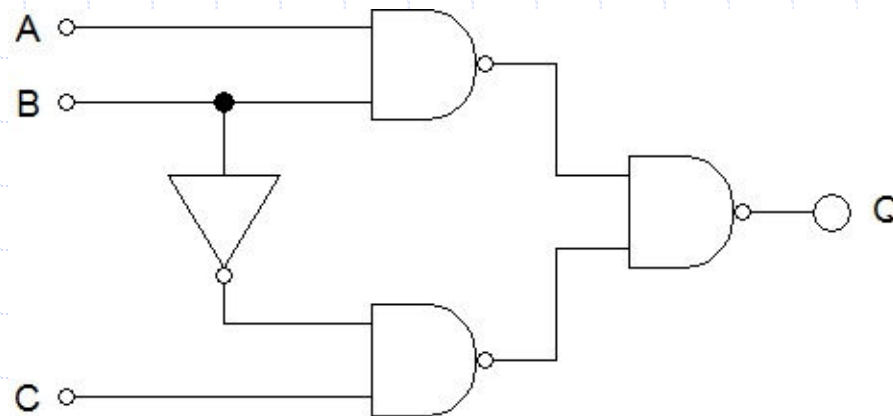
# QUIK THINKAZ



ANSWERS:



A	B	Q
0	0	0
0	1	1
1	0	1
1	1	0



A	B	C	Q
0	0	0	0
0	0	1	1
0	1	0	0
0	1	1	0
1	0	0	0
1	0	1	1
1	1	0	1
1	1	1	1