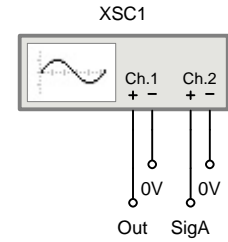
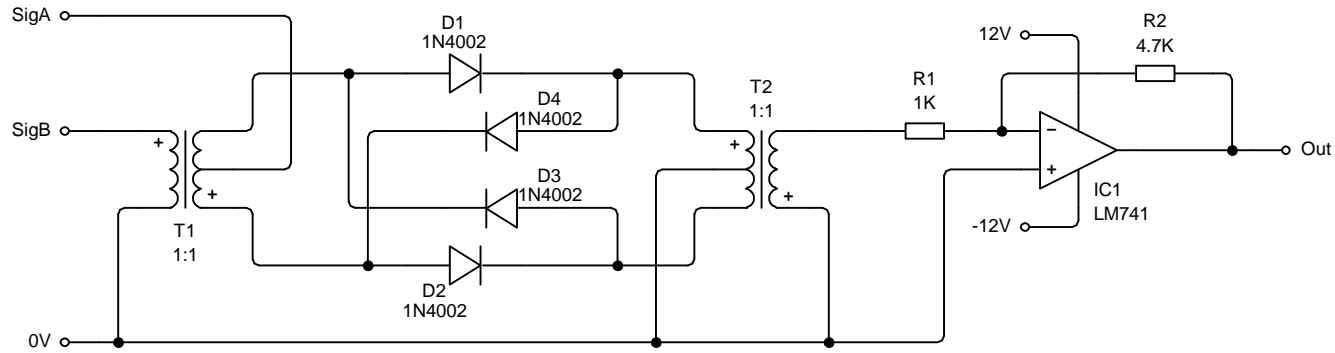


RING MODULATOR

SigA and SigB are mixed in the form of a multiplier or ring modulator by T1, T2 and D1-4. The inverting amplifier formed by IC1 is just to improve stability and provide a bit of gain.



Graph of XSC1

